

IK-6288TH-MH/PL HiLook 4K PoE Turret Kit



- One pack contains everything required for small monitoring scenarios
- Up to 1-ch@8 MP/3-ch@4 MP/6-ch@1080p decoding capacity
- Six 4K Fixed Turret network cameras with efficient H.265 compression technology
- One 4K HiLook 8-Channel NVR
- Red and blue strobe light with Siren
- 2-Way Audio
- 2 TB pre-installed HDD

▪ Specification

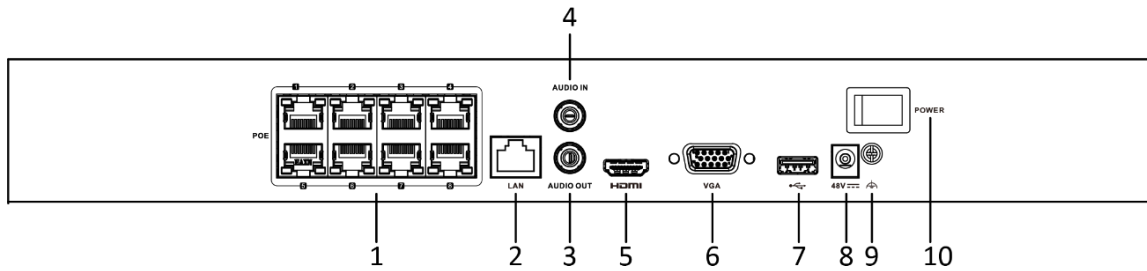
Camera	
Camera	
Camera Case Type	Turret
Image Sensor	1/2.7" Progressive Scan CMOS
Min. Illumination	Color: 0.01 Lux @ (F2.0, AGC ON),B/W: 0 Lux with IR
Shutter Speed	1/3 s to 1/100,000 s
Day & Night	IR cut filter
Angle Adjustment	Pan: 0° to 360°, tilt: 0° to 75°, rotation: 0° to 360°
Protection Level	IP67
Material	Camera body: metal, bottom base : plastic
Wi-Fi Support	No
Lens	
Focal Length	2.8 mm
Aperture	F2.0
Focus	Fixed
FOV	horizontal FOV 113°, vertical FOV 62°, diagonal FOV 134°
Lens Mount	M12
IR Range	Up to 30 m
Video	
Video Compression	Main stream: H.265+/H.265/H.264+/H.264, Sub-stream: H.265/H.264/MJPEG
H.264 Type	Baseline Profile, Main Profile, High Profile
H.264+	No
H.265 Type	Main Profile
H.265+	No
Video Bit Rate	32 Kbps to 16 Mbps
Max. Resolution	3840 × 2160
Main Stream	50 Hz: 12.5 fps (3840 × 2160, 3200 × 1800, 2688 × 1520, 1920 × 1080, 1280 × 720) 60 Hz: 15 fps (3840 × 2160, 3200 × 1800, 2688 × 1520, 1920 × 1080, 1280 × 720)
Sub-stream	50 Hz: 12.5 fps (1280 × 720, 640 × 480, 640 × 360) 60 Hz: 15 fps (1280 × 720, 640 × 480, 640 × 360)
Image Setting	H.264 Type
Day/Night Switch	Day, Night, Auto, Schedule
Network	
Alarm Trigger	Motion detection, video tampering alarm, illegal login
Protocols	TCP/IP, ICMP, DHCP, DNS, HTTP, RTP, RTSP, RTCP, NTP, IGMP, IPv4, IPv6, UDP, QoS, FTP, SMTP
General Function	Heartbeat, anti-banding, mirror, password protection, password reset via email
Client	iVMS-4200, HiLookVision
Interface	
Communication Interface	1 RJ45 10M/100M self-adaptive Ethernet port
On-board Storage	N/A

Video Out	No
Reset Button	No
General	
Power Supply	12 VDC \pm 25%, Φ 5.5 mm coaxial plug power, or PoE (802.3af, class 3)
Consumption	12 VDC, 0.3 A, Max: 3.5 W, or PoE (802.3af, 36 V to 57 V), 0.2 A to 0.1 A, Max: 4.5 W
Working Temperature	-30 °C to 60 °C (-22 °F to 140 °F)
Working Humidity	95% or less (non-condensing)
Dimension (W \times D \times H)	Φ 110 mm \times 93.2 mm (4.3" \times 3.7")
Weight	Approx. 360 g (0.8 lb)
NVR	
Video and Audio	
IP Video Input	8-ch
Incoming/Outgoing Bandwidth	80 Mbps/80 Mbps
HDMI Output	1-ch, 4K (4096 \times 2160)/30 Hz, 4K (3840 \times 2160)/30 Hz, 2K (2560 \times 1440)/60 Hz, 1920 \times 1080/60 Hz, 1600 \times 1200/60 Hz, 1280 \times 1024/60 Hz, 1280 \times 720/60 Hz
VGA Output	1-ch, 1920 \times 1080/60 Hz, 1280 \times 1024/60 Hz, 1280 \times 720/60 Hz
Video Output Mode	HDMI/VGA simultaneous output
Audio Output	1-ch, RCA (Linear, 1 k Ω)
Two-Way Audio	1-ch, RCA (2.0 Vp-p, 1 k Ω)
Decoding	
Decoding Format	H.265+, H.265, H.264+, H.264
Video Resolution	8MP/6MP/5MP/4 MP/3 MP/1080p/UXGA/720p/VGA/4CIF/DCIF/2CIF/CIF/QCIF
Synchronous Playback	8-ch
Capability	1-ch@8 MP (30 fps)/3-ch@4 MP (30 fps)/6-ch@1080p (30 fps)
Network	
Network Interface	1, RJ-45 10/100 Mbps self-adaptive Ethernet interface
Network Protocol	TCP/IP, DHCP, IPv4, IPv6, DNS, DDNS, NTP, RTSP, SADP, SMTP, SNMP, NFS, iSCSI, ISUP, UPnP™, HTTP, HTTPS
Remote Connection	32
PoE	
Interface	8-ch
Power	\leq 80 W
Standard	IEEE 802.3 af/at
Auxiliary interface	
SATA	2
Capacity	Up to 8 TB capacity for each disk
USB Interface	2 \times USB 2.0
Alarm In/Out	No
General	
Power Supply	48 VDC, 2.5 A
Consumption (without HDD and PoE off)	\leq 15 W (without HDD and PoE off)
Working Temperature	-10 °C to 55 °C (14 °F to 131 °F)
Working Humidity	10% to 90%
Dimension (W \times D \times H)	385 \times 315 \times 52 mm (15.2" \times 12.4" \times 2.0")

Weight (without hard disk)	≤ 385 × 315 × 52 mm (15.2" × 12.4" × 2.0")
Kit	
Certification	CE, IC
Weight (with package)	≤ 7.5 kg (16.5 lb)

Physical Interface

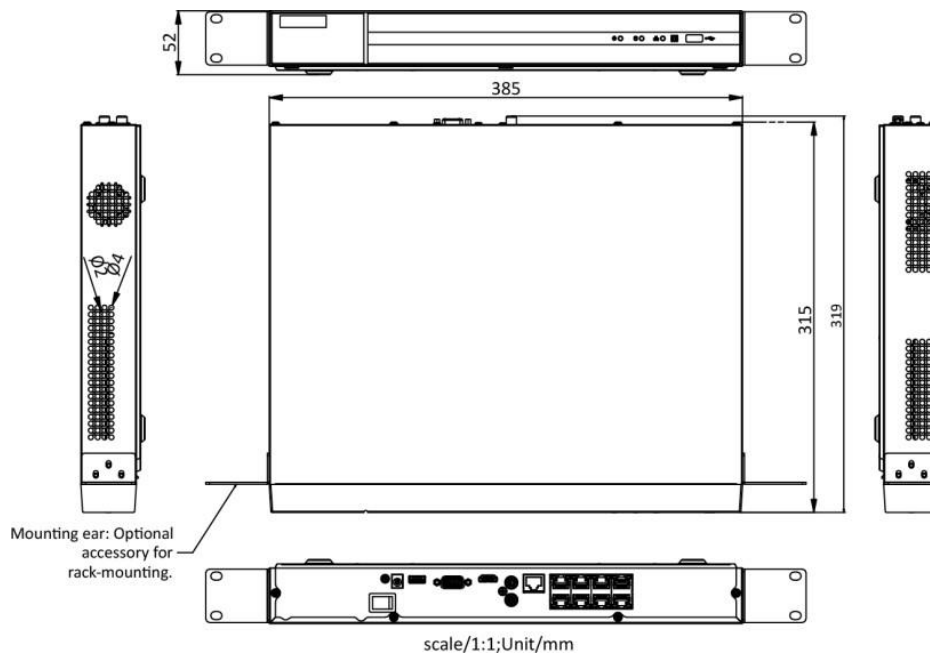
No.	Description	No.	Description
1	PoE Interface	6	VGA Output (DB9 Connector)
2	LAN Interface	7	USB Interface
3	AUDIO OUT	8	Power Supply
4	AUDIO IN	9	GND
5	HDMI Interface	10	Power Switch

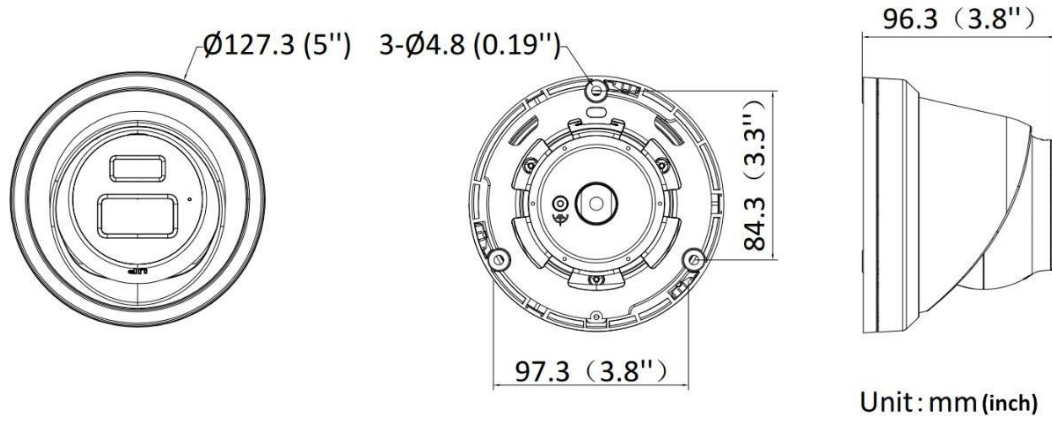


Available Model

DS-J142I/HiLook/IK-6288TH-MH/PL

Dimension

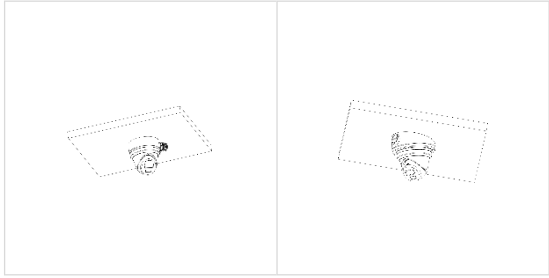




Accessory

Optional

DS-1273ZJ-130B-TRL Wall mount	DS-1271ZJ-130-TRL Pendant Mount	DS-1275ZJ-SUS Vertical pole mount	DS-1276ZJ-SUS Corner mount
DS-1280ZJ-DM8 Junction box	DS-1281ZJ-M Inclined ceiling mount		



HiLook

Headquarters

No.555 Qianmo Road, Binjiang District,
Hangzhou 310051, China
T +86-571-8807-5998
Technical Support: support@hikvision.com

Follow us on social media to get the latest product and solution information.

