

**EEBracket-L800-1000(barrier)
Barrier Pole**



- Support Frame for DS-TMG520 and DS-TMG420
- Can adjust height from 800mm to 1000mm

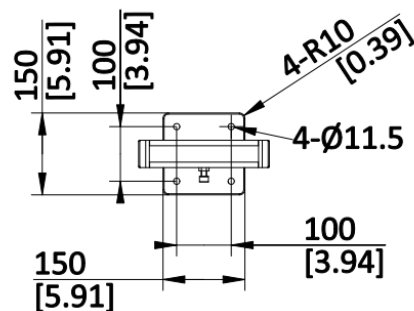
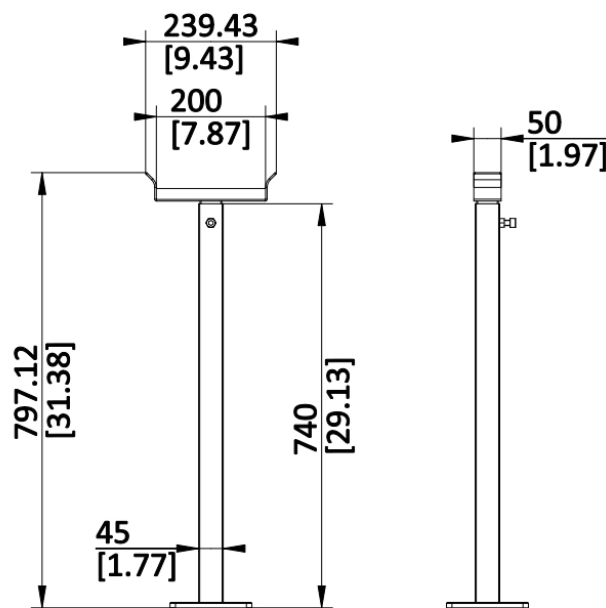
▪ Specification

General	
Dimensions	800 × 240 × 50 mm (51.5 × 9.4 × 1.9 inch)
Weight	3 kg (6.6 lb.)
Weight (with Package)	4 kg (8.8 lb.)
Dimensions (with Package)	1000 × 300 × 100 mm (39.4 × 11.8 × 3.9 inch)
Material	SGCC

▪ Available Model

EEBracket-L800-1000(barrier)

▪ Dimension



Unit: mm [inch]

▪ Accessory



DS-TMG421



DS-TMG520/B



DS-TMG420



DS-TMG420#EU



DS-TMG520



DS-TMG520-H/Y



DS-TMG520/A/B



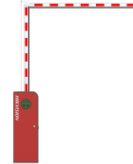
DS-TMG420/A/B



DS-TMG420/A



DS-TMG520#EU



DS-TMG421/B

See Far, Go Further



www.hikvision.com
support@hikvision.com

