



# Entrance & Exit Control Terminal

Quick Start Guide

## About this Document

- This Document includes instructions for using and managing the Product. Pictures, charts, images and all other information hereinafter are for description and explanation only.
- The information contained in the Document is subject to change, without notice, due to firmware updates or other reasons. Please find the latest version of the Document at the Hikvision website (<https://www.hikvision.com>). Unless otherwise agreed, Hangzhou Hikvision Digital Technology Co., Ltd. or its affiliates (hereinafter referred to as "Hikvision") makes no warranties, express or implied.
- Please use the Document with the guidance and assistance of professionals trained in supporting the Product.

## About this Product

This product can only enjoy the after-sales service support in the country or region where the purchase is made.

## Acknowledgment of Intellectual Property Rights

- Hikvision owns the copyrights and/or patents related to the technology embodied in the Products described in this Document, which may include licenses obtained from third parties.
- Any part of the Document, including text, pictures, graphics, etc., belongs to Hikvision. No part of this Document may be excerpted, copied, translated, or modified in whole or in part by any means without written permission.
- **HIKVISION** and other Hikvision's trademarks and logos are the properties of Hikvision in various jurisdictions.
- Other trademarks and logos mentioned are the properties of their respective owners.

## LEGAL DISCLAIMER

- TO THE MAXIMUM EXTENT PERMITTED BY APPLICABLE LAW, THIS DOCUMENT AND THE PRODUCT DESCRIBED, WITH ITS HARDWARE, SOFTWARE AND FIRMWARE, ARE PROVIDED "AS IS" AND "WITH ALL FAULTS AND ERRORS". HIKVISION MAKES NO WARRANTIES, EXPRESS OR IMPLIED, INCLUDING WITHOUT LIMITATION, MERCHANTABILITY, SATISFACTORY QUALITY, OR FITNESS FOR A PARTICULAR PURPOSE. THE USE OF THE PRODUCT BY YOU IS AT YOUR OWN RISK. IN NO EVENT WILL HIKVISION BE LIABLE TO YOU FOR ANY SPECIAL, CONSEQUENTIAL, INCIDENTAL, OR INDIRECT DAMAGES, INCLUDING, AMONG OTHERS, DAMAGES FOR LOSS OF BUSINESS PROFITS, BUSINESS INTERRUPTION, OR LOSS OF DATA, CORRUPTION OF SYSTEMS, OR LOSS OF DOCUMENTATION, WHETHER BASED ON BREACH OF CONTRACT, TORT (INCLUDING NEGLIGENCE), PRODUCT LIABILITY, OR OTHERWISE, IN CONNECTION WITH THE USE OF THE PRODUCT, EVEN IF HIKVISION HAS BEEN ADVISED OF THE POSSIBILITY OF SUCH DAMAGES OR LOSS.
- YOU ACKNOWLEDGE THAT THE NATURE OF THE INTERNET PROVIDES FOR INHERENT SECURITY




RISKS, AND HIKVISION SHALL NOT TAKE ANY RESPONSIBILITIES FOR ABNORMAL OPERATION, PRIVACY LEAKAGE OR OTHER DAMAGES RESULTING FROM CYBER-ATTACK, HACKER ATTACK, VIRUS INFECTION, OR OTHER INTERNET SECURITY RISKS; HOWEVER, HIKVISION WILL PROVIDE TIMELY TECHNICAL SUPPORT IF REQUIRED.

- YOU AGREE TO USE THIS PRODUCT IN COMPLIANCE WITH ALL APPLICABLE LAWS, AND YOU ARE SOLELY RESPONSIBLE FOR ENSURING THAT YOUR USE CONFORMS TO THE APPLICABLE LAW. ESPECIALLY, YOU ARE RESPONSIBLE, FOR USING THIS PRODUCT IN A MANNER THAT DOES NOT INFRINGE ON THE RIGHTS OF THIRD PARTIES, INCLUDING WITHOUT LIMITATION, RIGHTS OF PUBLICITY, INTELLECTUAL PROPERTY RIGHTS, OR DATA PROTECTION AND OTHER PRIVACY RIGHTS. YOU SHALL NOT USE THIS PRODUCT FOR ANY PROHIBITED END-USES, INCLUDING THE DEVELOPMENT OR PRODUCTION OF WEAPONS OF MASS DESTRUCTION, THE DEVELOPMENT OR PRODUCTION OF CHEMICAL OR BIOLOGICAL WEAPONS, ANY ACTIVITIES IN THE CONTEXT RELATED TO ANY NUCLEAR EXPLOSIVE OR UNSAFE NUCLEAR FUEL-CYCLE, OR IN SUPPORT OF HUMAN RIGHTS ABUSES.
- IN THE EVENT OF ANY CONFLICTS BETWEEN THIS DOCUMENT AND THE APPLICABLE LAW, THE LATTER PREVAILS.

**© Hangzhou Hikvision Digital Technology Co., Ltd. All rights reserved.**

## Symbol Conventions

The symbols that may be found in this document are defined as follows.

Symbol	Description
 <b>Note</b>	Provides additional information to emphasize or supplement important points of the main text.
 <b>Caution</b>	Indicates a potentially hazardous situation, which if not avoided, could result in equipment damage, data loss, performance degradation, or unexpected results.
 <b>Danger</b>	Indicates a hazard with a high level of risk, which if not avoided, will result in death or serious injury.

# TABLE OF CONTENTS

<b>Chapter 1 Introduction .....</b>	<b>1</b>
1.1 Introduction .....	1
1.2 Features .....	1
<b>Chapter 2 Panel Interfaces Description .....</b>	<b>2</b>
2.1 Alarm Input and Output.....	3
2.2 Indicators .....	3
2.3 Power Switch .....	4
<b>Chapter 3 Detailed Configuration .....</b>	<b>5</b>

# Chapter 1 Introduction

## 1.1 Introduction

Entrance & Exit Control Terminal (hereinafter referred to as control terminal), with Windows 10 legitimate operating system, is an embedded fanless control terminal with low consumption and high performance. It can be accessed to barrier gate, ticket station, entrance and exit capture camera, etc. to store data. It can connect to central platform to manage devices and data. It supports monitor output, software installation, etc. with powerful function and multiple interfaces.

The control terminal is sealed dust-proof and anti-seismic with good heat dissipation. It can be applied in severe environment with serious pollution, dust, or electromagnetic interference.

The control terminal can be widely applied in scenes such as industrial manufacture, large-scale power station, etc. to realize integrated management.

## 1.2 Features

- Cascade management: One can manage up to 4 lanes, and up to 5 devices can be cascaded.
- Strong adaptability: Fully closed structure, no fan heat dissipation design, can be used at -10 to 50°C working temperature.
- Multi network interfaces design: 8 network interfaces on the internal network support the access of a large number of network devices and saving switch costs; 2 gigabit network port on the external network support network fault tolerance and dual network IP setting, dual network isolation and other applications.
- Remote access: Supports Internet remote access to devices, remote troubleshooting, remote log download, and remote device upgrade.
- Local display control: Supports VGA/HDMI display, standard mouse and keyboard input control, plug and play, convenient and fast.
- Standard SDK interface: The standard SDK protocol supports interconnecting with cloud platforms and has strong external scalability.
- Huge pictures storage: 4T 3.5" HDD and 128 GB SSD.
- Multi other interfaces: 2 RS-232, 1 RS-485, 2 alarm in, 2 alarm out, 2 USB 2.0, 2 USB 3.0, 1 audio in, 1 audio out.

## Chapter 2 Panel Interfaces Description

The control terminal supports multiple panel interfaces. Refer to the following figure for the interfaces.

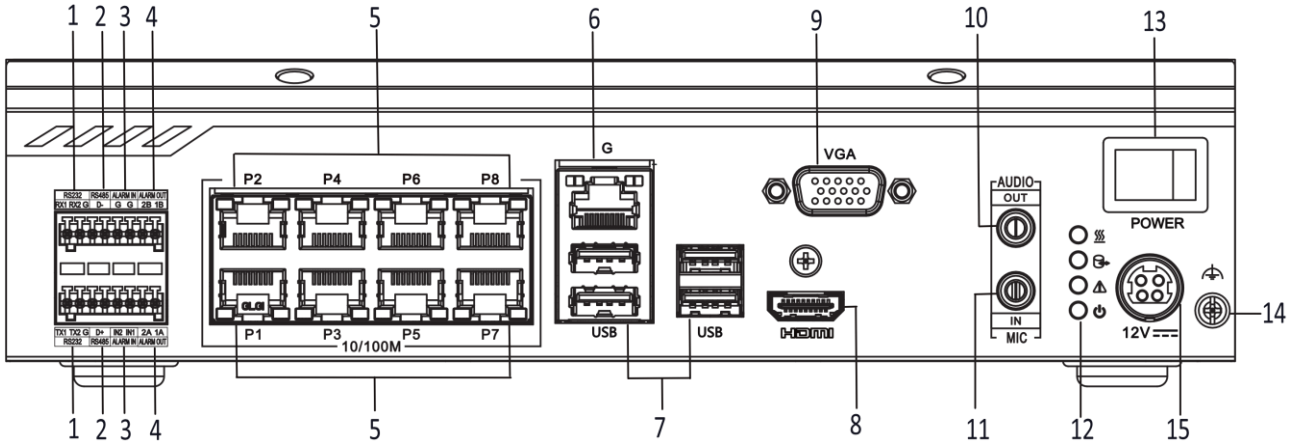


Figure 2-1 Panel Interfaces

Refer to the following table for the description of the interfaces.

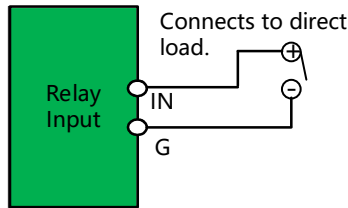
Table 2-1 Interfaces Description

No.	Name	Description
1	RS-232 serial ports	Connects to serial port devices such as printer or scanner.
2	RS-485 serial ports	Connects to serial port devices such as bluetooth card reader.
3	Alarm input	Refer to <a href="#">Chapter 2.1 Alarm Input and Output</a> for details.
4	Alarm output	
5	Network interfaces	Connects to the network cable for interaction between downstream devices, such as card reader, entrance and exit capture camera, etc.
6	G interface	Connects to the network cable for interaction between upstream platform, such as servers, cloud platform, etc.
7	USB interfaces	Connects to USB flash drive for data backup.
8	HDMI interface	Connects to HDMI display.
9	VGA interface	Connects to VGA display.
10	Audio out	3.5 mm audio output connector, connectable to loudspeaker.

11	Audio in	3.5 mm audio input connector, connectable to MIC.
12	Indicators	Refer to <a href="#">Chapter 2.2 Indicators</a> for details.
13	Power switch	Refer to <a href="#">Chapter 2.3 Power Switch</a> for details.
14	GND	Connects to ground wire.
15	Power input	Connects to 4-core 12 VDC power cord.

## 2.1 Alarm Input and Output

ALARM IN: IN and G are a pair of alarm input, connectable to relay alarm.



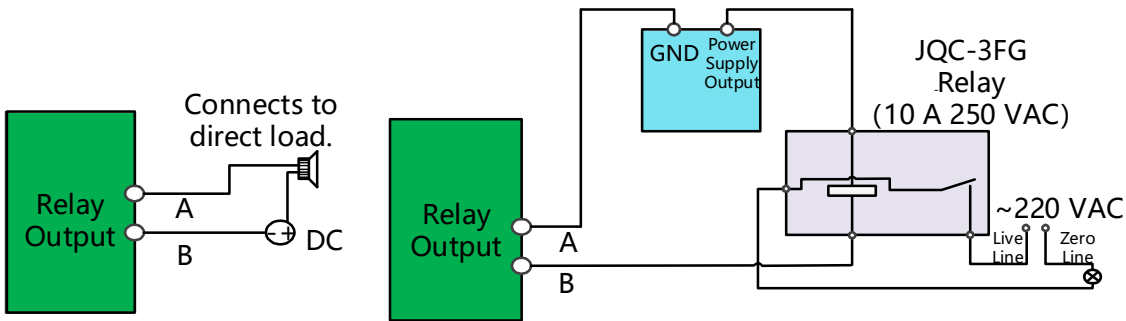
Alarm DC Power Supply Wiring

Figure 2-2 Alarm Input Wiring

### Note

- Alarm input only supports DC load access.
- Refer to the specifications for the voltage range of the alarm input and output.

ALARM OUT: A and B are a pair of alarm output, connectable to relay alarm. When the accessed alarm voltage exceeds the alarm output range, connect the relay to protect the alarm output interface.



Alarm DC Power Supply Wiring

Alarm AC Power Supply Wiring

Figure 2-3 Alarm Output Wiring

## 2.2 Indicators

The indicators indicate system, hard disk, alarm, and power supply status from top to bottom.

- The system indicator lights on if the system is running normally.
- The hard disk indicator is solid on if the hard disk is accessed. The hard disk indicator flashes if the hard disk is reading or writing data.
- The alarm indicator flashes if there is alarm input or output signal.
- The power supply indicator lights on if the device is powered on normally.

## 2.3 Power Switch

- Press it to start up or shut down the device.
- Hold it for 4 s above to force shut down the device.
- Hold it for 10 s above to clear CMOS cache.

## Chapter 3 Detailed Configuration

The device should be used with Parking Management System. Scan the QR code below to get the user manual of Parking Management System for detailed configuration.



Figure 3-1 User Manual QR Code



See Far, Go Further