



DS-PD201PC10-WE&WB&WA Wireless PIR- Camera Detector

User Manual

Contents

| | |
|--|-----------|
| Chapter 1 Unboxing Video | 1 |
| Chapter 2 Components Introduction | 2 |
| Chapter 3 Enrollment | 3 |
| 3.1 Enrollment via App | 3 |
| 3.2 Enrollment via Web Browser | 3 |
| Chapter 4 Test | 5 |
| Chapter 5 Installation | 6 |
| 5.1 Installation Preparation | 6 |
| 5.2 Device Installation | 7 |
| 5.2.1 Mounting with Screws | 7 |
| 5.2.2 Mount with Sponge Tape | 8 |
| Chapter 6 Configuration | 10 |
| 6.1 Configure via App | 10 |
| 6.2 Configure via Web Browser | 11 |
| Chapter 7 Specifications | 13 |
| Appendix A. Legal Information | 16 |
| Appendix B. Symbol Conventions | 18 |

Chapter 1 Unboxing Video

Watch the video to get the device general information.

Refer to the video for details:

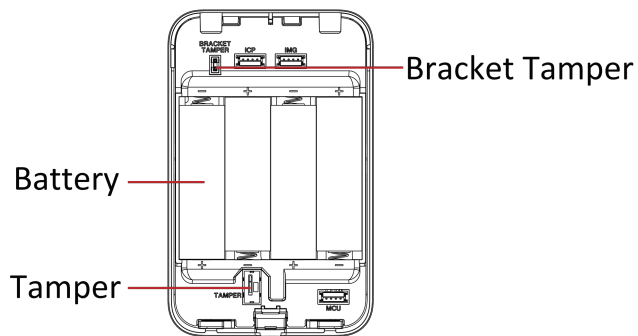
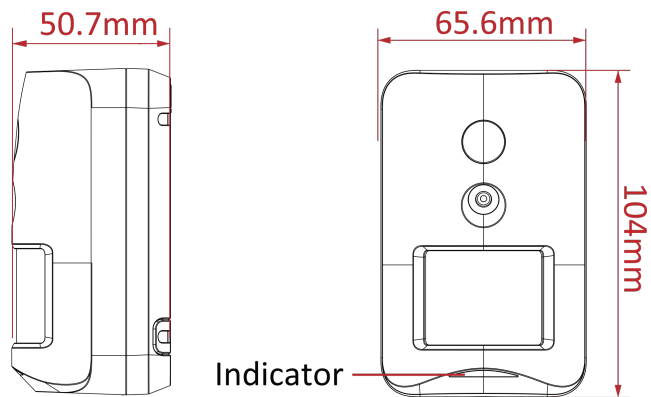
Refer to the link to see the high-definition video: <https://enpinfodata.hikvision.com/analysisQR/showQR/b722d26f>

Chapter 2 Components Introduction

Check components location and name for further use.

Note

- Structures may differ in different models, please refer to the actual product.



| Indicator Status | Device Status |
|--------------------------------|---------------|
| Blue LED remains on for 3 s | Alarm |
| Green LED flashes continuously | Find me |
| Orange LED flashes | Enrolling |
| Green LED flashes 7 times | Enrolled |

Chapter 3 Enrollment

3.1 Enrollment via App

Steps

1. Download Hik-Connect and log in.
2. Enroll the control panel to the App.



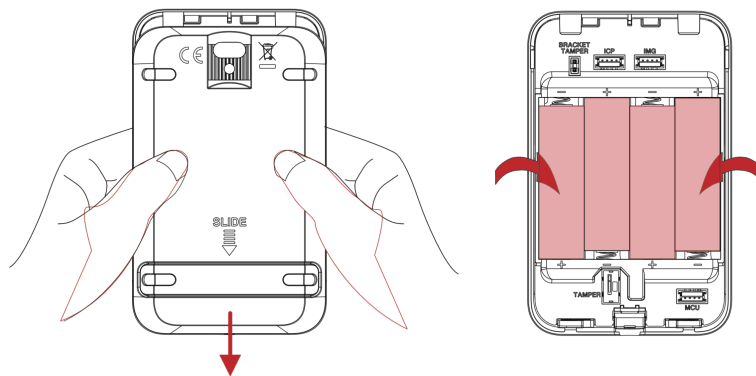
For more details, refer to the user manual of Hik-Connect App and control panel.

3. On the device list page, tap **Add Device**.
4. Tap **Device** → **+**.
5. Select adding method.
 - Select **Manual Adding**, scan the QR code or enter the serial No.



The QR code is usually on the back cover of the device.

- Select **Batch Adding**, the device will be enrolled to the control panel automatically.
6. Slide down to remove the rear cover. Install 4 batteries into the device. Orange LED starts to flash.



7. The green LED flashes for 7 times, the device is enrolled.

3.2 Enrollment via Web Browser

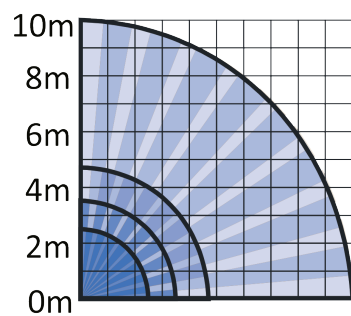
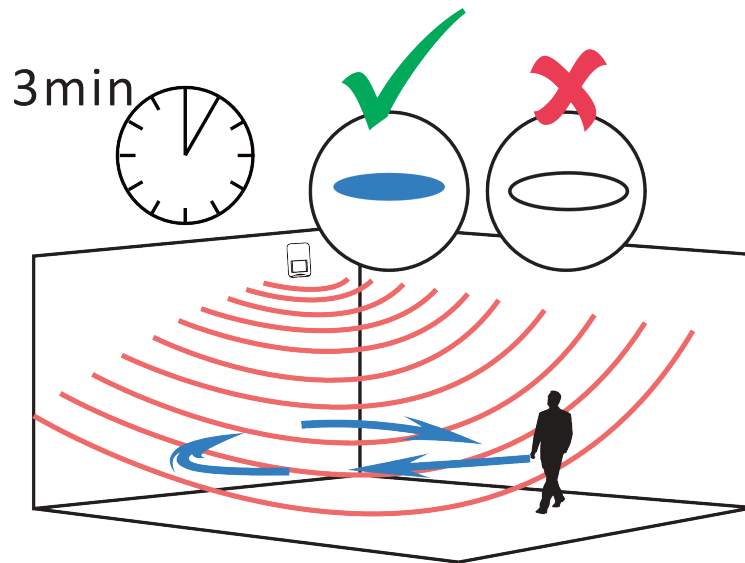
Steps

1. Enter the control panel's IP address in the address bar of the mobile browser and press **Enter** to enter the login page. Enter the user name and the password. Click **Login**.
2. Click **Device** → **+ Add**.
3. Select adding method.

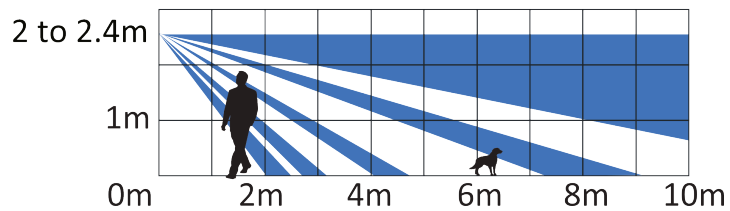
- Click **Enroll in Batch → Next** , the enrollment mode will be enabled, the device will be enrolled to the control panel automatically.
 - Click **Manually Add → Next** , enter the serial No. to enroll the device.
4. Adjust the knob to the unlock icon.
 5. Press the button to remove the rear panel and the middle frame.
 6. Install 4 batteries into the device and turn on the power switch. The green LED remains for 1 s.
 7. The green LED flashes for 7 times, the device is enrolled.

Chapter 4 Test

The device will enter test mode (3 min) after being enrolled. Or Tap ⚙️ → **Detection Zone Test** .
Trigger the device within the range. If the indicator turns blue, the installation position is properly.
If the indicator is still off, adjust the position of the device.



Detection Range:
FOV 90°
78 Zones
5 Levels
Mounting Height:
2 to 2.4 m (typical 2.2 m)
Pet Immunity: 24 Kg



Chapter 5 Installation

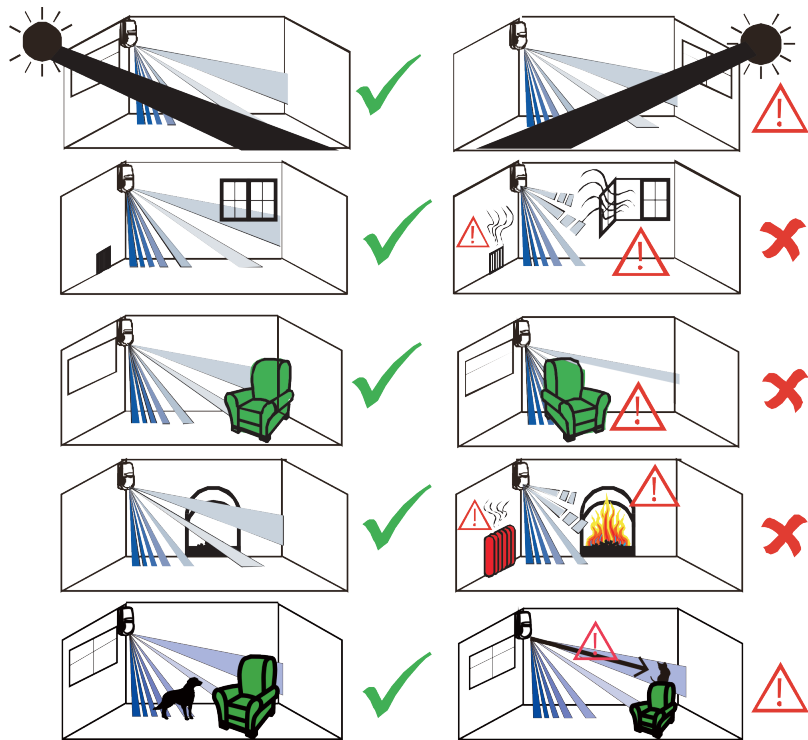
5.1 Installation Preparation


Steps

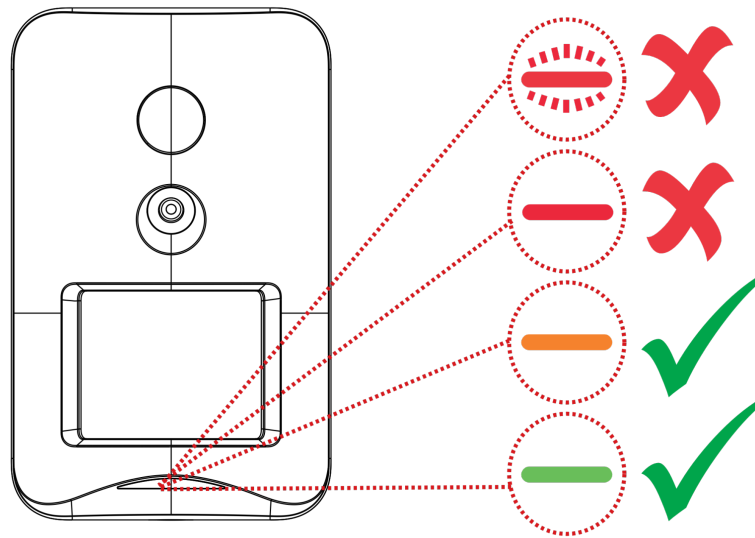
1. Check the installation environment.

Note

- Installation position should be as close to the arming area as possible.
 - Do not mix new and old batteries.
-



2. Tap the device on the device list page. And tap  → **Signal Strength Test** to check signal strength.

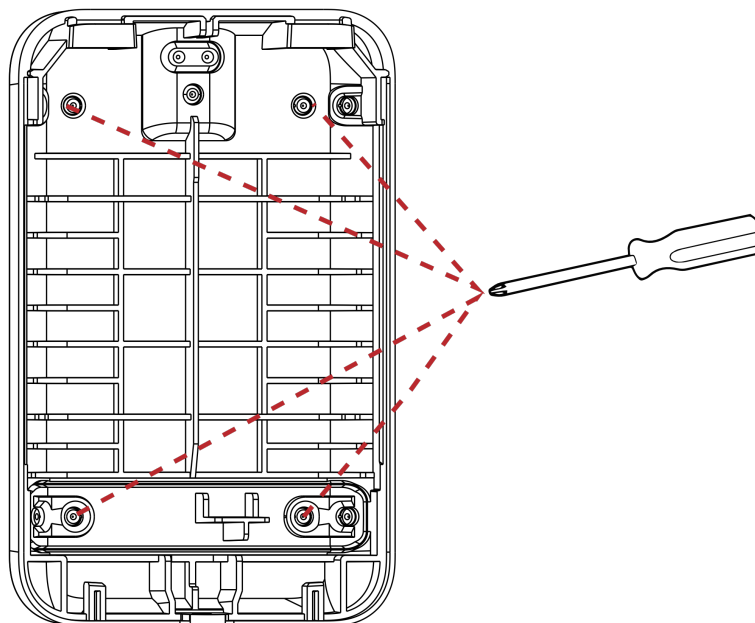


5.2 Device Installation

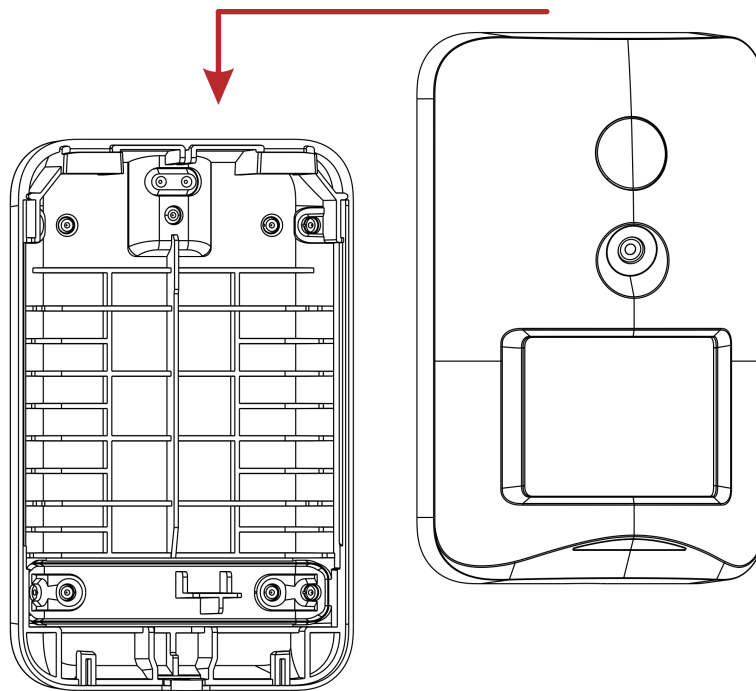
5.2.1 Mounting with Screws

Steps

1. Pierce the screw hole baffle with a screwdriver, and fix the rear cover to the wall with 4 screws.



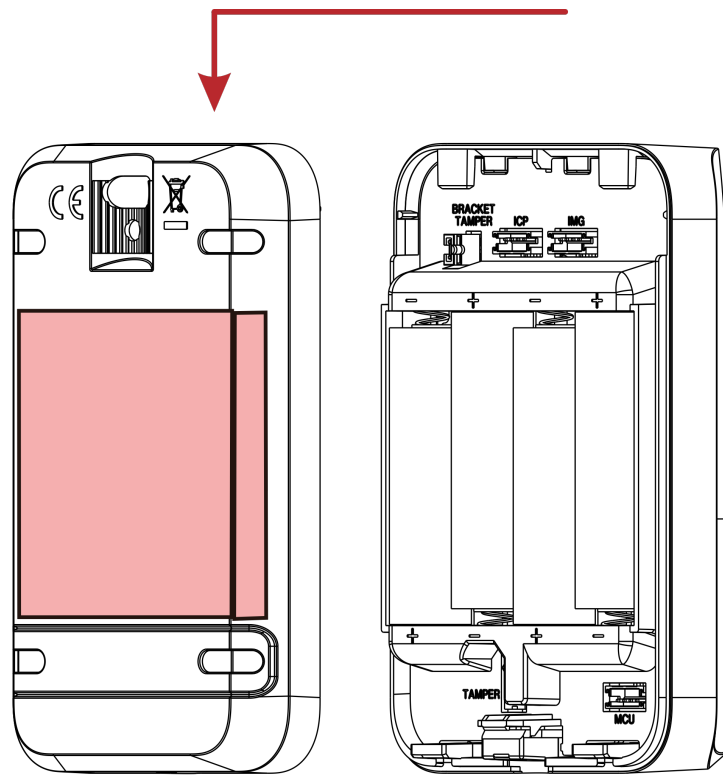
2. Install the front cover.



5.2.2 Mount with Sponge Tape


Steps

1. Remove the sticker of the sponge tape, and fix the detector to the wall.



Chapter 6 Configuration

6.1 Configure via App

Tap the device on the device list page, and tap  to configure device parameters.

Name

Edit device name.

Area

Select linked area or add new area.

Zone Type

Select a zone type.

Instant

This Zone type will immediately trigger an alarm event when armed.

Delay

Entry Delay Time

Entry Delay provides you time to enter the zone to disarm the system without alarm. After triggering, if the zone is not disarmed or silenced before the entry delay time ends, the zone will alarm.

Exit Delay Time

Exit Delay provides you time to leave through the zone without alarm. You should confirm faults first, and then the zone is in arming process. If the delay zone is triggered within the exit delay time but it restores before the time ends, the alarm will not be triggered and the zone will be armed.

Stay Arm Delay Time

Stay arming uses Stay Arm Delay Time to count down. The system gives entry/exit delay time when it is armed or reentered. It is usually used in entrance/exit route (e.g. front door/main entrance), which is a key route to arm/disarm via operating keypad for users.

Follow

The zone acts as delay zone when it detects triggering event during system Entry Delay, while it acts as instant zone otherwise.

24-hour

The zone activates all the time with sound/light output when alarm occurs, whether it is armed or not. It is usually used in fire hazardous areas equipped with smoke detectors and temperature sensors.

Sensitivity

Select the PIR sensitivity level.

Alert with a Sounder

After enabled, it will link the sounder to alarm.


Deactivation

The selected part will be deactivated.

Find Me

Enter the find me mode to search for the device location.

6.2 Configure via Web Browser

Select the device on the device list, and click  to configure device parameters.

Name

Edit device name.

Area

Select linked area or add new area.

Zone Type

Select a zone type.

Instant

This Zone type will immediately trigger an alarm event when armed.

Delay

Entry Delay Time

Entry Delay provides you time to enter the zone to disarm the system without alarm. After triggering, if the zone is not disarmed or silenced before the entry delay time ends, the zone will alarm.

Exit Delay Time

Exit Delay provides you time to leave through the zone without alarm. You should confirm faults first, and then the zone is in arming process. If the delay zone is triggered within the exit delay time but it restores before the time ends, the alarm will not be triggered and the zone will be armed.

Stay Arm Delay Time

Stay arming uses Stay Arm Delay Time to count down. The system gives entry/exit delay time when it is armed or reentered. It is usually used in entrance/exit route (e.g. front door/main entrance), which is a key route to arm/disarm via operating keypad for users.

Follow

The zone acts as delay zone when it detects triggering event during system Entry Delay, while it acts as instant zone otherwise.

24-hour

The zone activates all the time with sound/light output when alarm occurs, whether it is armed or not. It is usually used in fire hazardous areas equipped with smoke detectors and temperature sensors.

PIR Sensitivity

Select the sensitivity level of PIR detection.

Image Resolution

Select how many pixels are in each inch of the image. The larger the value, the higher the resolution.

Image In Series

Set the number of images captured by the camera during a single trigger.

Trigger Interval

Select the time interval at which the alarm will be triggered.

Silent Alarm

After enabled, when an alarm is triggered, only the report will be uploaded and no sound is emitted.

LED

When enabled, the LED indicator will indicate different device status.

Activation Limit

When the number of times the infrared detector is triggered exceeds the set value, the alarm will no longer be triggered.


Polling Rate

Set the interval at which the system requires the device to return a report. If the device takes longer than the **Polling Failure Times to Determine Offline** to reply, the system will report faults and the status of device will be shown as offline.

Buzzer

When enabled, the buzzer will sound once when there is no picture alarm, picture alarm, fault prompt, or fault occurs or recovers.

Click **Save**.

Click  to view the device status.

Click , the device will enter the find me mode to search for the device location.

Chapter 7 Specifications

| Model WE: 868 Mhz WB: 433 Mhz WA: 915 Mhz | DS-PD201PC10-WE | DS-PD201PC10-WB | DS-PD201PC10-WA |
|--|--|------------------------|------------------------|
| Detection method | Passive Infrared | | |
| Detection range | 10 m | | |
| Detection angle | 90° | | |
| Detection zones | 78 | | |
| Detectable planes | 5 | | |
| Detectable speed | 0.3 to 2 m/s | | |
| Sensitivity | Automatic | | |
| Pet immunity | 24 kg at low sensitivity | | |
| White light filter | 3500 lux | | |
| Temperature compensation | Automatic | | |
| Angle | 90°(H) 70°(V) | | |
| Sensor Type | CMOS | | |
| Day Light Video | Colour | | |
| Night Vision Video | Black & White | | |
| Illumination | Automatic with 1 × IR LED | | |
| Illumination Range | 10 m | | |
| Image Format | JPEG | | |
| Temperature sensor | Yes | | |
| Resolution | QVGA (320 × 240) QQVGA (160 × 120) | | |
| Images in series | Up to 3 images with resolution QVGA Up to 5 images with resolution QQQVGA | | |
| Digital Processing | Yes | | |

DS-PD201PC10-WE&WB&WA Wireless PIR-Camera Detector User Manual

| Model WE: 868 Mhz WB: 433 Mhz WA: 915 Mhz | DS-PD201PC10-WE | DS-PD201PC10-WB | DS-PD201PC10-WA |
|--|---|------------------------|------------------------|
| Sealed Optics | Yes | | |
| Power Switch | Power up / Enrolling | | |
| LED Indicator | Blue (Alarm) | | |
| Tamper Protectoin | Rear | | |
| Signal Strength Indicator | Yes | | |
| Environment Temperature Indicator | Yes | | |
| Transmission technology | R bidirectional radio wireless | | |
| Operating Frequency | 433MHz 868 MHz - FHSS 915MHz -FHSS | | |
| Transmission Security | AES-128 Encryptoin | | |
| Range (Free Space) | DS-PD201PC10-WB: 800 m DS-PD201PC10-WE&DS-PD201PC10-WA: 1000 m | | |
| Radio Antenna | Integrated | | |
| Enrolling | Power up / remote ID / QR code | | |
| Wall Mount | Yes | | |
| Supervision | 5 min | | |
| Ceiling Mount | Yes | | |
| Bracket | Optional Wall & Ceiling Accessory | | |
| Mounting Height | 2.0 m ~ 2.4 m | | |
| Application Scenario | Indoor | | |
| PS Type ^b | Battery Powered (Type C) | | |
| Battery Pack ^c | 4 × AA Alkaline Batteries / 1.5V, 2000mAh each | | |
| Typical Voltage | 3 V | | |

| Model WE: 868 Mhz WB: 433 Mhz WA: 915 Mhz | DS-PD201PC10-WE | DS-PD201PC10-WB | DS-PD201PC10-WA |
|--|---|------------------------|------------------------|
| Power Consumption | Maximum Current: 3V, Max 900mA Quiescent Current: 3V, 43µA | | |
| Standard Battery Life | Up to 2 years | | |
| Operating temperature | -10°C to 55°C | | |
| Storage Temperature | -20°C to 60°C | | |
| Relative Humidity | 10% to 90% | | |
| Dimension (W × H × D) | 65.6 × 104 × 50.7 mm | | |
| Weight | 120 g | | |

Appendix A. Legal Information

About this Document

- This Document includes instructions for using and managing the Product. Pictures, charts, images and all other information hereinafter are for description and explanation only.
- The information contained in the Document is subject to change, without notice, due to firmware updates or other reasons. Please find the latest version of the Document at the Hikvision website (<https://www.hikvision.com>). Unless otherwise agreed, Hangzhou Hikvision Digital Technology Co., Ltd. or its affiliates (hereinafter referred to as "Hikvision") makes no warranties, express or implied.
- Please use the Document with the guidance and assistance of professionals trained in supporting the Product.

About this Product

This product can only enjoy the after-sales service support in the country or region where the purchase is made.

Acknowledgment of Intellectual Property Rights

- Hikvision owns the copyrights and/or patents related to the technology embodied in the Products described in this Document, which may include licenses obtained from third parties.
- Any part of the Document, including text, pictures, graphics, etc., belongs to Hikvision. No part of this Document may be excerpted, copied, translated, or modified in whole or in part by any means without written permission.
- **HIKVISION** and other Hikvision's trademarks and logos are the properties of Hikvision in various jurisdictions.
- Other trademarks and logos mentioned are the properties of their respective owners.

LEGAL DISCLAIMER

- TO THE MAXIMUM EXTENT PERMITTED BY APPLICABLE LAW, THIS DOCUMENT AND THE PRODUCT DESCRIBED, WITH ITS HARDWARE, SOFTWARE AND FIRMWARE, ARE PROVIDED "AS IS" AND "WITH ALL FAULTS AND ERRORS". HIKVISION MAKES NO WARRANTIES, EXPRESS OR IMPLIED, INCLUDING WITHOUT LIMITATION, MERCHANTABILITY, SATISFACTORY QUALITY, OR FITNESS FOR A PARTICULAR PURPOSE. THE USE OF THE PRODUCT BY YOU IS AT YOUR OWN RISK. IN NO EVENT WILL HIKVISION BE LIABLE TO YOU FOR ANY SPECIAL, CONSEQUENTIAL, INCIDENTAL, OR INDIRECT DAMAGES, INCLUDING, AMONG OTHERS, DAMAGES FOR LOSS OF BUSINESS PROFITS, BUSINESS INTERRUPTION, OR LOSS OF DATA, CORRUPTION OF SYSTEMS, OR LOSS OF DOCUMENTATION, WHETHER BASED ON BREACH OF CONTRACT, TORT (INCLUDING NEGLIGENCE), PRODUCT LIABILITY, OR OTHERWISE, IN CONNECTION WITH THE USE OF THE




PRODUCT, EVEN IF HIKVISION HAS BEEN ADVISED OF THE POSSIBILITY OF SUCH DAMAGES OR LOSS.

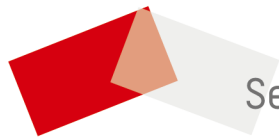
- YOU ACKNOWLEDGE THAT THE NATURE OF THE INTERNET PROVIDES FOR INHERENT SECURITY RISKS, AND HIKVISION SHALL NOT TAKE ANY RESPONSIBILITIES FOR ABNORMAL OPERATION, PRIVACY LEAKAGE OR OTHER DAMAGES RESULTING FROM CYBER-ATTACK, HACKER ATTACK, VIRUS INFECTION, OR OTHER INTERNET SECURITY RISKS; HOWEVER, HIKVISION WILL PROVIDE TIMELY TECHNICAL SUPPORT IF REQUIRED.
- YOU AGREE TO USE THIS PRODUCT IN COMPLIANCE WITH ALL APPLICABLE LAWS, AND YOU ARE SOLELY RESPONSIBLE FOR ENSURING THAT YOUR USE CONFORMS TO THE APPLICABLE LAW. ESPECIALLY, YOU ARE RESPONSIBLE, FOR USING THIS PRODUCT IN A MANNER THAT DOES NOT INFRINGE ON THE RIGHTS OF THIRD PARTIES, INCLUDING WITHOUT LIMITATION, RIGHTS OF PUBLICITY, INTELLECTUAL PROPERTY RIGHTS, OR DATA PROTECTION AND OTHER PRIVACY RIGHTS. YOU SHALL NOT USE THIS PRODUCT FOR ANY PROHIBITED END-USES, INCLUDING THE DEVELOPMENT OR PRODUCTION OF WEAPONS OF MASS DESTRUCTION, THE DEVELOPMENT OR PRODUCTION OF CHEMICAL OR BIOLOGICAL WEAPONS, ANY ACTIVITIES IN THE CONTEXT RELATED TO ANY NUCLEAR EXPLOSIVE OR UNSAFE NUCLEAR FUEL-CYCLE, OR IN SUPPORT OF HUMAN RIGHTS ABUSES.
- IN THE EVENT OF ANY CONFLICTS BETWEEN THIS DOCUMENT AND THE APPLICABLE LAW, THE LATTER PREVAILS.

© Hangzhou Hikvision Digital Technology Co., Ltd. All rights reserved.

Appendix B. Symbol Conventions

The symbols that may be found in this document are defined as follows.

| Symbol | Description |
|--|---|
|  Danger | Indicates a hazardous situation which, if not avoided, will or could result in death or serious injury. |
|  Caution | Indicates a potentially hazardous situation which, if not avoided, could result in equipment damage, data loss, performance degradation, or unexpected results. |
|  Note | Provides additional information to emphasize or supplement important points of the main text. |



See Far, Go Further