

DS-MCC21D Nameplate Camera



Nameplate camera is an intelligent digital nameplate with audio and video recording function. It can be worn on the chest, and its size is close to the traditional nameplate. The device can be applicable to record the sales process in bank, insurance agency, and securities company. It can also be used to record the enforcement process in public security, transportation, judicial organization, industrial and commercial administration, taxation administration, etc.

- Supports 2.13 inch electronic ink screen, low power consumption, clear daytime display effect, and can manually configure electronic nameplate information.
- Wear with the magnet or pin.
- Data loss prevention function: If the battery is low when recording, the device will automatically save the recorded data before shutting down.
- Supports Wi-Fi connection. Supports live view and control via the application of mobile phone.
- Battery life for record is no less than 15 hours.
- The 4G module is optional.

▪ Specification

Camera	
Image Sensor	1/5" progressive scan CMOS
Max. Recording Resolution	1600 × 1200
Lens	
Focal Length	1.36 mm fixed lens
FOV	Horizontal FOV: 94°, Vertical FOV: 74°
Aperture	F2.2
Video	
Video Compression	H.264, H.265
Main Stream	30 fps (1600 × 1200, 1280 × 960, 640 × 480)
Sub-Stream	Not Supported
Video Format	PS, MP4
Audio	
Audio Compression for Video Recording	G722.1
Audio Bit Rate	16 Kbps (G.722.1)
Screen	
Screen Size	2.13"
Display Resolution	122 × 250
Screen Type	E-ink
Storage	
RAM	128 MB
ROM	32 GB by default
IR	
IR Range	Not Supported
Wireless Network	
Wi-Fi Protocol	802.11 b/g/n
Positioning Mode	GPS
Cellular Network	Only available for models with /GLE, LTE FDD B1/3/5/7/8/20, LTE TDD B38/40/41
Wi-Fi Frequency Band	2.412 to 2.472 GHz
Network	
Protocol	HTTPS, RTSP, NTP
API	ISAPI, SDK, ISUP 5.0
Interface	
USB	1 Type-C USB 2.0 port(s)
Indicator	4 Indicator(s) for Charging/Working/Recording/Wi-Fi/4G
Button	4 (Power, Wi-Fi, SOS, Recording)
SIM Card	1 Nano-SIM card(s)
General	
Operating System	Linux
Power	5 V DC, 2 A, max. 10 W
Operating Condition	- 20 °C to 55 °C (- 4 °F to 131 °F). Humidity 90% or less (non-condensing)
Dimensions	70 mm × 52 mm × 21 mm (2.75" × 2.04" × 0.82")
Weight	110 g (without mounting) (0.24 lb.)
MIC	Supported

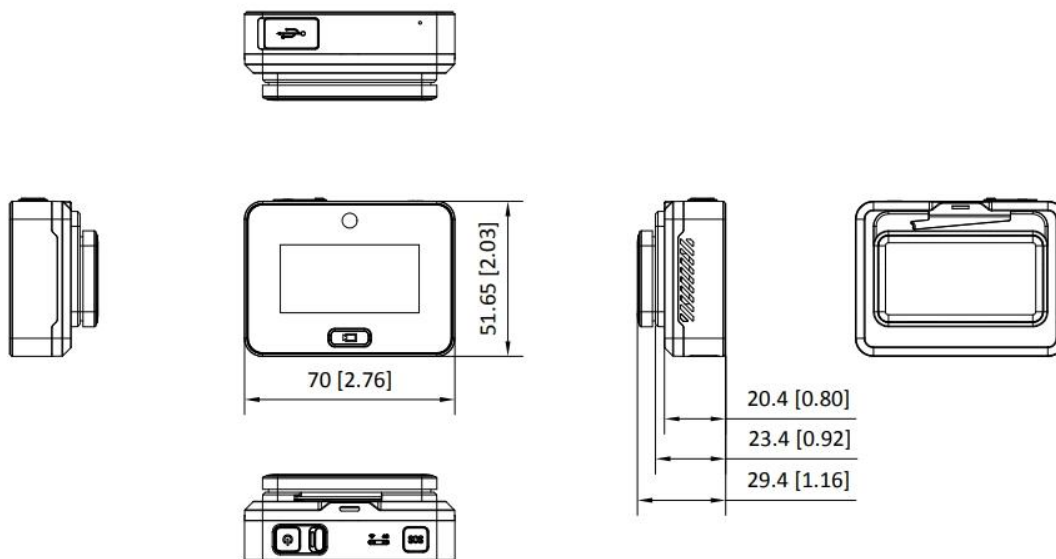
Speaker	Supported
Client	Hik-Connect, HikCentral Pro, HikCentral Master, HikCentral Master Lite
Battery	
Capacity	2500 mAh
Battery Type	Lithium-ion battery, integral
Charging Time	≤ 3 h
Battery Duration	approx 13 h in 720p resolution
Approval	
RF	EN 301 489-1V2.2.3, EN 301 489-17V3.2.4, EN 300 328V2.2.2, EN 50566: 2017
EMC	EN 55032: 2015 + A11: 2020 + A1: 2020, EN IEC61000-3-2: 2019 + A1: 2021, EN 61000-3-3: 2013 + A1: 2019 + A2: 2021, EN 50130-4: 2011 + A1: 2014
Safety	CB: IEC 62368-1: 2014, IEC 62368-1: 2018, CE-LVD: EN 62368-1: 2014 + A11: 2017
Environment	CE-RoHS: 2011/65/EU, WEEE: 2012/19/EU, Reach: Regulation (EC) No 1907/2006
Warranty	
Warranty	2 years for the device, 1 year for the battery

▪ Available Model

DS-MCC21D/32G/GPS/WIFI

DS-MCC21D/32G/GLE

▪ Dimension



Unit: mm [inch]

See Far, Go Further



www.hikvision.com
support@hikvision.com

