

86 × 86 mm Junction Box-mounted Bedhead Extension With Cord

Quick Start Guide

UD43070B

Quick Start Process Guide

1 Wiring

Check the terminals and wiring instructions of the alarm port, network port, and power port.



2 Installation

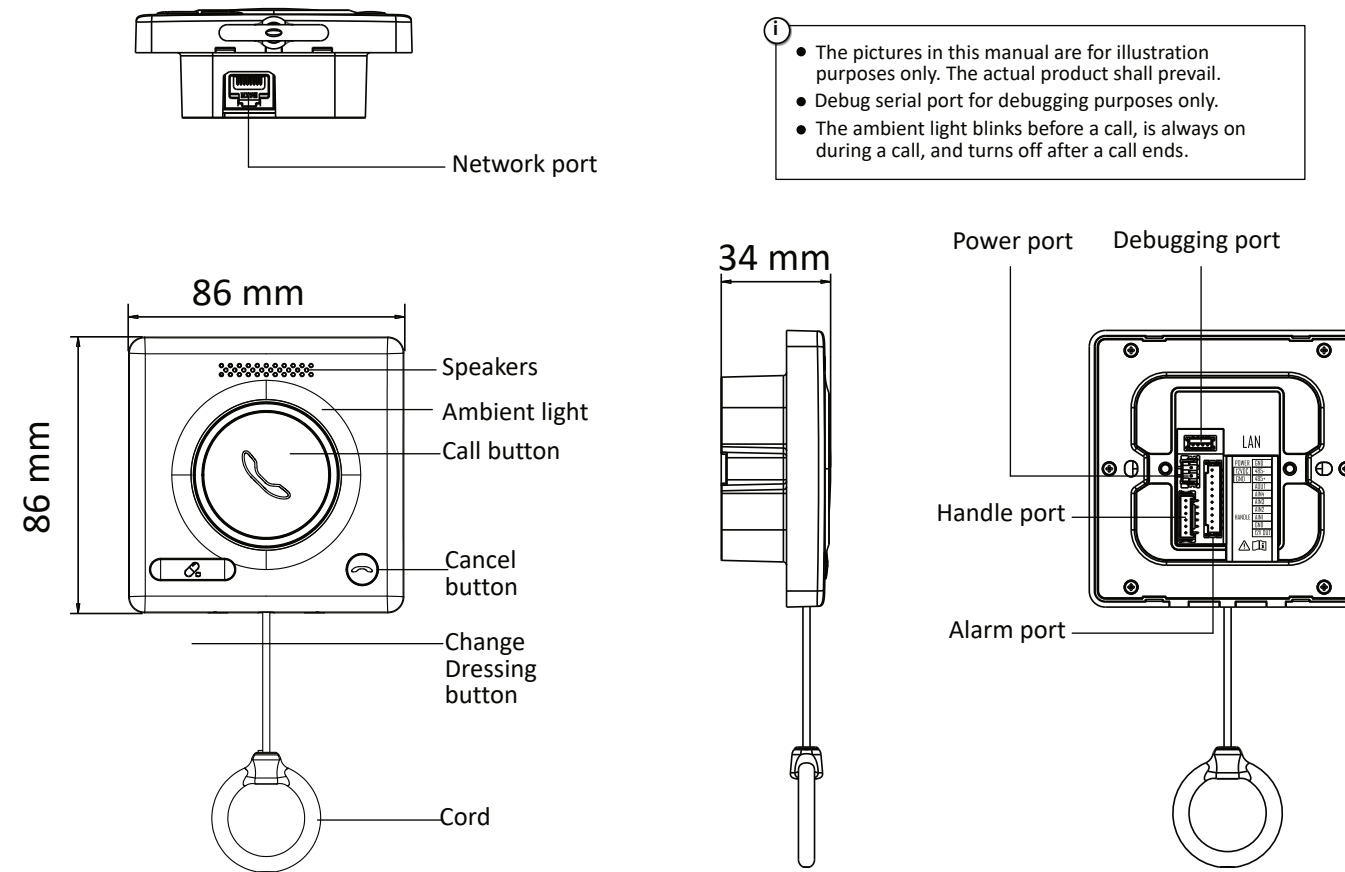
2.1 Check the preparations before installation.
2.2 Flush mounting procedure.



3 Activation and Quick Setup

3.1 Remote activation.
3.2 Basic configurations and operations.

Appearance



- The pictures in this manual are for illustration purposes only. The actual product shall prevail.
- Debug serial port for debugging purposes only.
- The ambient light blinks before a call, is always on during a call, and turns off after a call ends.

- You can press the Call button to call the nurse station management center.
- You can press the button to remind the nurse to change dressings and press again to cancel the reminder.
- After the Call button is pressed, you can press the Cancel button to cancel the call. When you are the called party, you can press the Cancel button to hang up.
- You can pull the cord to call the nurse station management center.

About this Document

- This Document includes instructions for using and managing the Product. Pictures, charts, images and all other information hereinafter are for description and explanation only.
- The information contained in the Document is subject to change, without notice, due to firmware updates or other reasons. Please find the latest version of the Document at the Hikvision website (<https://www.hikvision.com>). Unless otherwise agreed, Hangzhou Hikvision Digital Technology Co., Ltd. or its affiliates (hereinafter referred to as "Hikvision") makes no warranties, express or implied.
- Please use the Document with the guidance and assistance of professionals trained in supporting the Product.

About this Product

This product can only enjoy the after-sales service support in the country or region where the purchase is made.

Acknowledgment of Intellectual Property Rights

- Hikvision owns the copyrights and/or patents related to the technology embodied in the Products described in this Document, which may include licenses obtained from third parties.
- Any part of the Document, including text, pictures, graphics, etc., belongs to Hikvision. No part of this Document may be excerpted, copied, translated, or modified in whole or in part by any means without written permission.
- HIKVISION and other Hikvision's trademarks and logos are the properties of Hikvision in various jurisdictions.
- Other trademarks and logos mentioned are the properties of their respective owners.

LEGAL DISCLAIMER

- TO THE MAXIMUM EXTENT PERMITTED BY APPLICABLE LAW, THIS DOCUMENT AND THE PRODUCT DESCRIBED, WITH ITS HARDWARE, SOFTWARE AND FIRMWARE, ARE PROVIDED "AS IS" AND "WITH ALL FAULTS AND ERRORS". HIKVISION MAKES NO WARRANTIES, EXPRESS OR IMPLIED, INCLUDING WITHOUT LIMITATION, MERCHANTABILITY, SATISFACTORY QUALITY, OR FITNESS FOR A PARTICULAR PURPOSE. THE USE OF THE PRODUCT BY YOU IS AT YOUR OWN RISK. IN NO EVENT WILL HIKVISION BE LIABLE TO YOU FOR ANY SPECIAL, CONSEQUENTIAL, INCIDENTAL, OR INDIRECT DAMAGES, INCLUDING, AMONG OTHERS, DAMAGES FOR LOSS OF BUSINESS PROFITS, BUSINESS INTERRUPTION, OR LOSS OF DATA, CORRUPTION OF SYSTEMS, OR LOSS OF DOCUMENTATION, WHETHER BASED ON BREACH OF CONTRACT, TORT (INCLUDING NEGLIGENCE), PRODUCT LIABILITY, OR OTHERWISE, IN CONNECTION WITH THE USE OF THE PRODUCT, EVEN IF HIKVISION HAS BEEN ADVISED OF THE POSSIBILITY OF SUCH DAMAGES OR LOSS.
- YOU ACKNOWLEDGE THAT THE NATURE OF THE INTERNET PROVIDES FOR INHERENT SECURITY RISKS, AND HIKVISION SHALL NOT TAKE ANY RESPONSIBILITIES FOR ABNORMAL OPERATION, PRIVACY LEAKAGE OR OTHER DAMAGES RESULTING FROM CYBER-ATTACK, HACKER ATTACK, VIRUS INFECTION, OR OTHER INTERNET SECURITY RISKS; HOWEVER, HIKVISION WILL PROVIDE TIMELY TECHNICAL SUPPORT IF REQUIRED.
- YOU AGREE TO USE THIS PRODUCT IN COMPLIANCE WITH ALL APPLICABLE LAWS, AND YOU ARE SOLELY RESPONSIBLE FOR ENSURING THAT YOUR USE CONFORMS TO THE APPLICABLE LAW. ESPECIALLY, YOU ARE RESPONSIBLE, FOR USING THIS PRODUCT IN A MANNER THAT DOES NOT INFRINGE ON THE RIGHTS OF THIRD PARTIES, INCLUDING WITHOUT LIMITATION, RIGHTS OF PUBLICITY, INTELLECTUAL PROPERTY RIGHTS, OR DATA PROTECTION AND OTHER PRIVACY RIGHTS. YOU SHALL NOT USE THIS PRODUCT FOR ANY PROHIBITED END-USES, INCLUDING THE DEVELOPMENT OR PRODUCTION OF WEAPONS OF MASS DESTRUCTION, THE DEVELOPMENT OR PRODUCTION OF CHEMICAL OR BIOLOGICAL WEAPONS, ANY ACTIVITIES IN THE CONTEXT RELATED TO ANY NUCLEAR EXPLOSIVE OR UNSAFE NUCLEAR FUEL-CYCLE, OR IN SUPPORT OF HUMAN RIGHTS ABUSES.
- IN THE EVENT OF ANY CONFLICTS BETWEEN THIS DOCUMENT AND THE APPLICABLE LAW, THE LATTER PREVAILS.

1 Wiring

RS-485 →

Alarm output →

Alarm input →

Power output →

GND: Grounding point

485-: 485 port

485+: 485 port

AOUT: Alarm output port

AIN4: Alarm input port 4

AIN3: Alarm input port 3

AIN2: Alarm input port 2

AIN1: Alarm input port 1

GND: Grounding point

12V OUT: 12 V power output

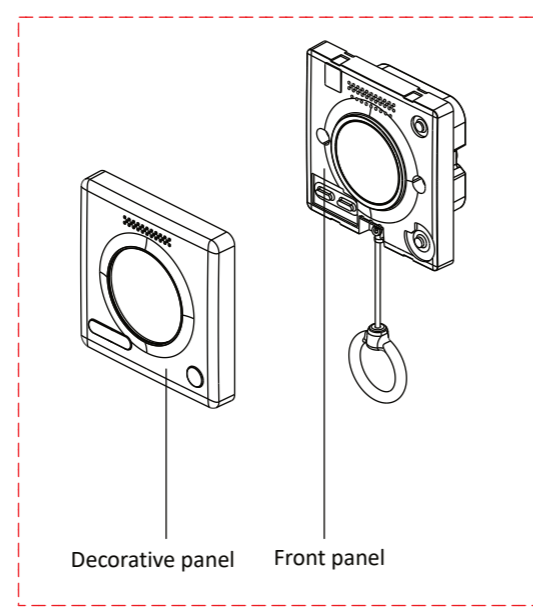
- The RS-485 port can be used for connecting a door light (optional): The door light is off normally and turns on when a call originates, or an alarm is received (solid green light for calls, solid red light for alarms, solid yellow light for dressing changes).
- The alarm output port can be used for connecting a door light (optional): The door light is off normally, turns on when a call originates, or an alarm is received and turns off when the alarm is cleared.



- Do not connect the device directly to the 220 V utility power.
- The device supports PoE, and no power cord is required when a network cable is connected.
- Please use the adapter coming with the device, if any. If the device does not come with a built-in power supply, please ensure that the power adapter or other power source complies with LPS requirements. For the information on power output parameters, see the nameplate on the device.

2.1 Preparations Before Installation

- The device is only intended for indoor use.
- An 86 × 86 mm junction box is required for installing the device.
- Before the installation, check whether the power supply meets power requirements.
- Complete the wiring sequence before installation. For more information, see Section 1.
- Always cut off the power supply to the device during installation.
- The installation surface must be able to withstand a force three times the weight of the device exerted downward along the center of gravity of the device plus 50 N force in the horizontal direction after the device is installed. The device must be reliably installed, and the installation parts must not be deformed.
- Before installation, remove the decorative panel of the device to expose the mounting holes on the front panel for the 86 × 86 mm junction box, as shown in the figure on the right.



Warning

- While installing and using this device, all electrical safety regulations of the country and region where the product is used must be strictly observed.
- To prevent possible hearing damage, do not listen to music at high volume for an extended period of time.
- Maintain proper ventilation around the device to avoid heat buildup.
- If the device is not working properly, contact the store where you purchased the device or the nearest service center. Do not disassemble or modify the device in any way. (The company will not assume responsibility for any issues that arise due to unauthorized modification or repair).

Caution

- If the power cord of the device must be connected to the terminal, ensure that the supply voltage and wiring sequence are correct to avoid a fire hazard or electric shock.
- Do not place an exposed flame source, for example, a lit candle, on the device.
- The serial port on the device is only used for debugging and is not intended for users.
 1. Please install the device in strict accordance with the installation instructions set forth in the Quick Start Guide.
 2. For safety, the device must be securely mounted to the installation surface.
- Keep the device in a stable position. Otherwise, overturn may result in serious personal injury or death.
- Do not drop objects on the device or shake the device vigorously, and keep the device away from magnetic interference. Avoid installing the device in a place where the surface vibrates or where the device is vulnerable to impact. Otherwise, the device may be damaged.
- Please do not use the device in high temperature, low temperature, or high humidity environments. For specific temperature and humidity requirements, refer to the parameter table.
- Devices for indoor use must not be exposed to rain or high humidity.
- Do not expose the device to direct sunlight or place it in poorly ventilated areas or near heat sources such as heaters or heating source. Failure to do this may lead to a fire hazard.
- Network security issues may arise when the device is connected to the internet. Please enhance your personal information and data security protection. When you discover potential network security risks, please contact us immediately.

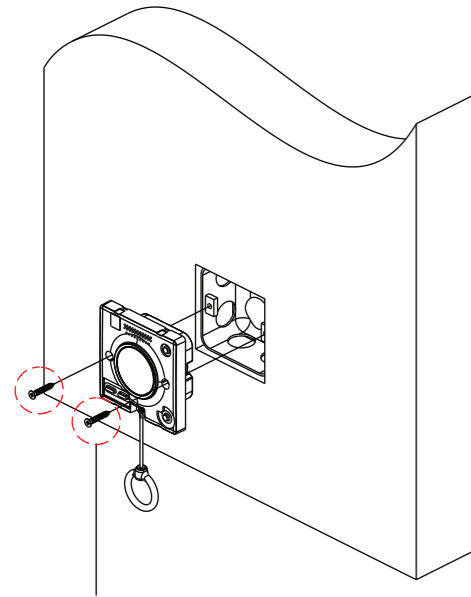
Instruction

Installation and maintenance personnel requirements:

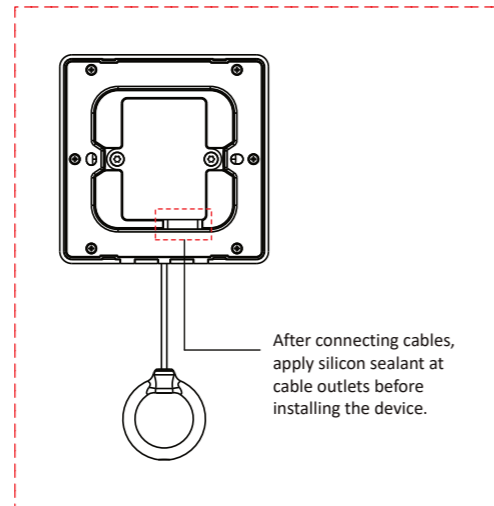
- Have basic knowledge and installation skills for access control systems and compositions.
- Have basic knowledge and operation skills for low voltage wiring and low voltage electric circuit wiring.
- Have basic knowledge and skills regarding basic network security and be able to read and understand the content of this manual.

2.2 Installing the Device

Flush Mounting



SC-KA4x25-SUS screws



- 1 Ensure that the 86 × 86 mm junction box is pre-embedded in the wall. Connect cables and lock the port cover on the rear back. Then, align the mounting holes on the front cover for the 86 × 86 mm junction box with the hole positions of the 86 × 86 mm junction box.
- 2 Finally, install the decorative panel of the device to the front panel.
- 3 Apply sealant around the edges of the wall after the device is installed.

3 Quick Setup

You must activate the device when you use it for the first time. You can remotely activate the device using the client software after it is powered on.

Activation

Remote Activation

1. Run the client software and go to the **Device Management** screen.
2. Click **Online Devices**, select the device to activate, and click **Activate**. The Activation window is displayed.
3. Enter your password and confirm password and click **OK** to finish activation.


Setting Security Questions

1. After the device is activated, click **OK** on the **Whether to set security questions and export GUID files** pop-up window.
2. Select a security question and enter the answer. Click **OK** to complete setup.

Quick Setup and Operation

You can perform quick setup and operation in the client software.

Editing Network Parameters

In the **Online Devices** section, select the device you have activated and click  to edit network parameters, including IP address, subnet mask, and gateway.

Adding Device

1. In the **Online Devices** list, select a device and click **Add**.
2. Enter device name, user name, and password.
3. Click **Add**.

Associating Peripherals

1. In Remote Config, go to **Network > Networking Parameters**.
2. Edit the IP addresses of associated devices, including main stations and door stations.
3. Click **Save** to complete the configuration.



For other configurations, see User Manual.



Scan the QR Code to see User Manual