

**DS-2CD3786G2HT-LIZSU****8 MP Smart hybrid light with Darkfighter S Motorized Varifocal Dome Network Camera**

Hikvision has been dedicated to develop products with security since established.

Hikvision always follows security by design principle and has adopted many methods of security technologies into our product development lifecycle, including terminal security, data security, application security, network security, and privacy protection.

In the meantime, the security technologies used by Hikvision are all in compliance with local applicable laws and safety regulations. These security measures could enhance product's cyber security protection capability and protect your devices as well as your data from malicious cyber attacks.

- High quality imaging with 8 MP resolution
- Motorized varifocal lens for easy installation and monitoring
- Smart Dual-Light: advanced technology with long range
- Motorized varifocal lens for easy installation and monitoring
- Efficient H.265+ compression technology
- Clear imaging against strong backlight due to 130 dB WDR technology
- Water and dust resistant (IP67) and vandal resistant (IK10)

## ▪ Specification

Camera	
Image Sensor	1/1.8" Progressive Scan CMOS
Max. Resolution	3840 × 2160
Min. Illumination	Color: 0.0028 Lux @ (F1.2, AGC ON), 0 Lux with light
Shutter Time	1/3 s to 1/100,000 s
Day & Night	IR cut filter
Angle Adjustment	Pan: 0° to 355°, tilt: 0° to 75°, rotate: 0° to 355°
Lens	
Lens Type	Varifocal lens, motorized lens, 2.7 to 13.5 mm
Focal Length & FOV	2.7 to 13.5 mm, horizontal FOV 112.3° to 41.2°, vertical FOV 58.1° to 23.1°, diagonal FOV 137.4° to 47.3°
Lens Mount	Integrated
Focus	Auto, Semi-auto, Manual
Iris Type	DC iris
Aperture	Max. F1.2
Depth of Field	1 m to ∞
DORI	
DORI	Wide: D: 87 m, O: 35 m, R: 17 m, I: 9 m Tele: D: 216 m, O: 86 m, R: 43 m, I: 22 m
Illuminator	
Supplement Light Type	IR, White Light
Supplement Light Range	Up to 40 m
Smart Supplement Light	Yes
IR Wavelength	850 nm
HEOP	
Open Resources	DS-2CD3786G2HT-LIZSU(2.7-13.5mm)(D)海外标配:NA DS-2CD3786G2HT-LIZSU(2.7-13.5mm)(海外标配),DS-2CD3786G2HT-LIZSU(2.7-13.5mm)(海外中性),DS-2CD3786G2HT-LIZSU(2.7-13.5mm)eF/海外标配,DS-2CD3786G2HT-LIZSU(2.7-13.5mm)eF/海外中性:Memory: 40 MB, Smart RAM: 350 MB, eMMC: 2 GB
Computing Power	DS-2CD3786G2HT-LIZSU(2.7-13.5mm)(D)海外标配:NA DS-2CD3786G2HT-LIZSU(2.7-13.5mm)(海外标配),DS-2CD3786G2HT-LIZSU(2.7-13.5mm)(海外中性),DS-2CD3786G2HT-LIZSU(2.7-13.5mm)eF/海外标配,DS-2CD3786G2HT-LIZSU(2.7-13.5mm)eF/海外中性:1.5 TOPS

Open Capability	DS-2CD3786G2HT-LIZSU(2.7-13.5mm)(D)海外标配:NA DS-2CD3786G2HT-LIZSU(2.7-13.5mm)(海外标配),DS-2CD3786G2HT-LIZSU(2.7-13.5mm)(海外中性),DS-2CD3786G2HT-LIZSU(2.7-13.5mm)eF/海外标配,DS-2CD3786G2HT-LIZSU(2.7-13.5mm)eF/海外中性:HEOP 2.0 OpendevSDK
Deep Learning Structure	DS-2CD3786G2HT-LIZSU(2.7-13.5mm)(海外标配),DS-2CD3786G2HT-LIZSU(2.7-13.5mm)(海外中性),DS-2CD3786G2HT-LIZSU(2.7-13.5mm)eF/海外标配,DS-2CD3786G2HT-LIZSU(2.7-13.5mm)eF/海外中性:Caffe, PyTorch, TensorFlow, PaddlePaddle, ONNX DS-2CD3786G2HT-LIZSU(2.7-13.5mm)(D)海外标配:NA
Programming Language	DS-2CD3786G2HT-LIZSU(2.7-13.5mm)(D)海外标配:NA DS-2CD3786G2HT-LIZSU(2.7-13.5mm)(海外标配),DS-2CD3786G2HT-LIZSU(2.7-13.5mm)(海外中性),DS-2CD3786G2HT-LIZSU(2.7-13.5mm)eF/海外标配,DS-2CD3786G2HT-LIZSU(2.7-13.5mm)eF/海外中性:C,C++
<b>Video</b>	
Main Stream	50 Hz: 25 fps (3840 × 2160, 3200 × 1800, 2688 × 1520, 1920 × 1080, 1280 × 720) 60 Hz: 24 fps (3840 × 2160) 30 fps (3200 × 1800, 2688 × 1520, 1920 × 1080, 1280 × 720)
Sub-Stream	DS-2CD3786G2HT-LIZSU(2.7-13.5mm)(海外标配),DS-2CD3786G2HT-LIZSU(2.7-13.5mm)(海外中性),DS-2CD3786G2HT-LIZSU(2.7-13.5mm)eF/海外标配,DS-2CD3786G2HT-LIZSU(2.7-13.5mm)eF/海外中性:50 Hz: 25 fps (1280 × 720, 640 × 480, 640 × 360) 60 Hz: 30 fps (1280 × 720, 640 × 480, 640 × 360) DS-2CD3786G2HT-LIZSU(2.7-13.5mm)(D)海外标配:50 Hz: 25 fps (1280 × 720, 768 × 432, 640 × 360) 60 Hz: 30 fps (1280 × 720, 768 × 432, 640 × 360)
Third Stream	50 Hz: 10 fps (1920 × 1080, 1280 × 720, 640 × 480, 640 × 360) 60 Hz: 10 fps (1920 × 1080, 1280 × 720, 640 × 480, 640 × 360)
Fourth Stream	50 Hz: 10 fps (1280 × 720, 640 × 480, 640 × 360) 60 Hz: 10 fps (1280 × 720, 640 × 480, 640 × 360)

Video Compression	Main stream: H.265/H.264/H.264+/H.265+, Sub-stream: H.265/H.264/MJPEG, Third stream: H.265/H.264, Fourth stream: H.265/H.264/MJPEG, *Third stream and fourth stream are supported under certain settings.
Video Bit Rate	32 Kbps to 16 Mbps
H.264 Type	Baseline Profile, Main Profile, High Profile
H.265 Type	Main Profile
Bit Rate Control	CBR, VBR
Scalable Video Coding (SVC)	H.264 and H.265 encoding
Region of Interest (ROI)	5 fixed regions for main stream and sub-stream
Target Cropping	Yes
<b>Audio</b>	
Audio Compression	G.711ulaw/G.711alaw/G.722.1/G.726/MP2L2/PCM/MP3/AAC-LC
Audio Bit Rate	64 Kbps (G.711ulaw/G.711alaw)/16 Kbps (G.722.1)/16 Kbps (G.726)/32 to 192 Kbps (MP2L2)/8 to 320 Kbps (MP3)/16 to 64 Kbps (AAC-LC)
Audio Sampling Rate	8 kHz/16 kHz/32 kHz/44.1 kHz/48 kHz
Environment Noise Filtering	Yes
<b>Network</b>	
Protocols	TCP/IP, ICMP, HTTP, HTTPS, FTP, DHCP, DNS, DDNS, RTP, RTSP, NTP, UPnP, SMTP, IGMP, 802.1X, QoS, IPv4, IPv6, UDP, Bonjour, SSL/TLS, PPPoE, SFTP, ARP, SNMP, WebSocket, WebSockets, SRTP
Simultaneous Live View	Up to 6 channels
API	Open Network Video Interface (Profile S, Profile G, Profile T), ISAPI, SDK, ISUP
User/Host	Up to 32 users 3 user levels: administrator, operator, and user
Security	Password protection, complicated password, HTTPS encryption, 802.1X authentication (EAP-TLS, EAP-LEAP, EAP-MD5), watermark, IP address filter, basic and digest authentication for HTTP/HTTPS, WSSE and digest authentication for Open Network Video Interface, RTP/RTSP over HTTPS, control timeout settings, security audit log, TLS 1.1/1.2/1.3, host authentication (MAC address)
Network Storage	NAS (NFS, SMB/CIFS), Auto Network Replenishment (ANR), Together with high-end Hikvision memory card, memory card encryption and health detection are supported.
Client	iVMS-4200, Hik-Connect, Hik-Central
Web Browser	Plug-in required live view: IE 10, IE 11, Plug-in free live view: Chrome 57.0+, Firefox 52.0+, Edge 89+, Local service: Chrome 57.0+, Firefox 52.0+, Edge 89+
<b>Image</b>	
Image Parameters Switch	Yes
Image Settings	Rotate mode, saturation, brightness, contrast, sharpness, gain, white balance, adjustable by client software or web browser
Day/Night Switch	Day, Night, Auto, Schedule
Wide Dynamic Range (WDR)	130 dB
Image Enhancement	BLC, HLC, 3D DNR, Defog
SNR	≥ 52 dB

Privacy Mask	4 programmable polygon privacy masks
<b>Interface</b>	
Ethernet Interface	1 RJ45 10 M/100 M self-adaptive Ethernet port
On-Board Storage	Built-in memory card slot, support microSD/microSDHC/microSDXC card, up to 512 GB
Built-in Microphone	-U: Yes, 2 built-in microphones
Audio	1 input (line in), two-core terminal block, max. input amplitude: 3.3 Vpp, input impedance: 4.7 K $\Omega$ , interface type: non-equilibrium, 1 output (line out), two-core terminal block, max. output amplitude: 3.3 Vpp, output impedance: 100 $\Omega$ , interface type: non-equilibrium
Alarm	2 inputs, 2 outputs (max. 24 VDC/24 VAC, 1 A)
Reset Key	Yes
Power Output	12 VDC, max. 100 mA
<b>Event</b>	
Basic Event	Motion detection (support alarm triggering by specified target types (human and vehicle)), video tampering alarm, exception
Smart Event	Unattended baggage detection, object removal detection, scene change detection, audio exception detection, defocus detection
Linkage	Upload to FTP/NAS/memory card, notify surveillance center, send email, trigger recording, trigger capture, trigger alarm output, audible warning
<b>Deep Learning Function</b>	
Face Capture	Yes
People Counting	Yes
Perimeter Protection	Line crossing detection, intrusion detection, region entrance detection, region exiting detection, Support alarm triggered by specified target types (human and vehicle)
<b>General</b>	
Power	12 VDC $\pm$ 25%, 1.05 A, max. 12.6 W, $\varnothing$ 5.5 mm coaxial power plug, reverse polarity protection, PoE: IEEE 802.3at, Class 4, max. 15 W
Material	Metal
Dimension	$\varnothing$ 141 mm $\times$ 112 mm ( $\varnothing$ 5.55" $\times$ 4.41")
Package Dimension	244 mm $\times$ 174 mm $\times$ 173 mm (9.61" $\times$ 6.85" $\times$ 6.81")
Weight	Approx. 820 g (1.81 lb.)
With Package Weight	Approx. 1200 g (2.65 lb.)
General Function	Heartbeat, anti-banding, mirror, flash log, password reset via email, pixel counter
Storage Conditions	-30 $^{\circ}$ C to 60 $^{\circ}$ C (-22 $^{\circ}$ F to 140 $^{\circ}$ F). Humidity 95% or less (non-condensing)
Startup and Operating Conditions	-30 $^{\circ}$ C to 60 $^{\circ}$ C (-22 $^{\circ}$ F to 140 $^{\circ}$ F). Humidity 95% or less (non-condensing)
Language	33 languages: English, Russian, Estonian, Bulgarian, Hungarian, Greek, German, Italian, Czech, Slovak, French, Polish, Dutch, Portuguese, Spanish, Romanian, Danish, Swedish, Norwegian, Finnish, Croatian, Slovenian, Serbian, Turkish, Korean, Traditional Chinese, Thai, Vietnamese, Japanese, Latvian, Lithuanian, Portuguese (Brazil), Ukrainian

Approval	
EMC	CE-EMC: EN 55032: 2015, EN 61000-3-2:2019, EN 61000-3-3: 2013+A1:2019, EN 50130-4:2011 +A1: 2014, RCM: AS/NZS CISPR 32: 2015, IC: ICES-003: Issue 7
Safety	UL: UL 62368-1, CB: IEC 62368-1:2014+A11, CE-LVD: EN 62368-1:2014/A11: 2017
Environment	CE-RoHS: 2011/65/EU, WEEE: 2012/19/EU
Protection	IP67: IEC 60529-2013, IK10: IEC 62262:2002

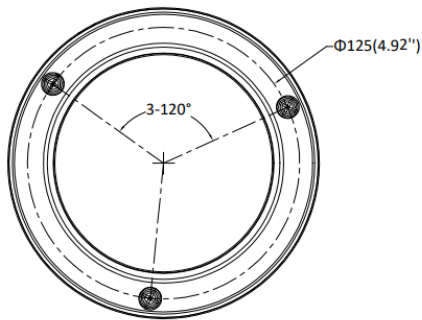
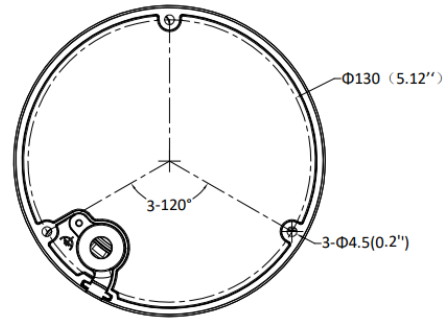
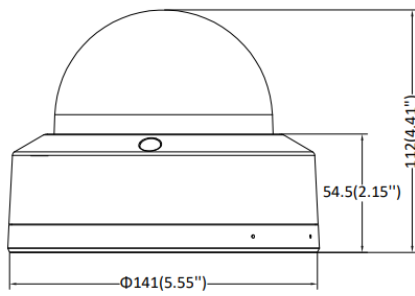
## ▪ Typical Application

Hikvision products are classified into three levels according to their anti-corrosion performance. Refer to the following description to choose for your using environment.

This model has NO SPECIFIC PROTECTION.

Level	Description
Top-level protection	Hikvision products at this level are equipped for use in areas where professional anti-corrosion protection is a must. Typical application scenarios include coastlines, docks, chemical plants, and more.
Moderate protection	Hikvision products at this level are equipped for use in areas with moderate anti-corrosion demands. Typical application scenarios include coastal areas about 2 kilometers (1.24 miles) away from coastlines, as well as areas affected by acid rain.
No specific protection	Hikvision products at this level are equipped for use in areas where no specific anti-corrosion protection is needed.

## ▪ Dimension



Unit:mm(inch)


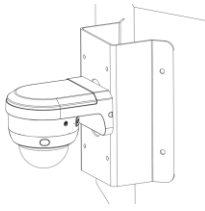

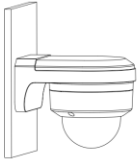
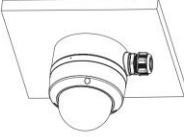


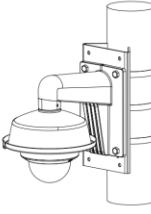
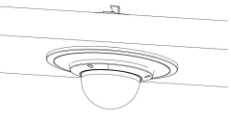

▪ **Accessory**

▪ **Optional**

<b>DS-1276ZJ-SUS</b>	<b>DS-1476ZJ-SUS</b>	<b>DS-1273ZJ-140-DM</b> 45	<b>DS-1280ZJ-DM45</b>	<b>DS-1475ZJ-SUS</b>
<b>DS-4220ZJ-WC</b>	<b>DS-220AZJ-145-WA</b>	<b>DS-1275ZJ-S-SUS</b>	<b>DS-1271ZJ-140-DM</b> 45	<b>DS-1275ZJ-SUS</b>

▪ **Installation Methods**

<b>Corner Mounting</b> DS-1276ZJ-SUS+DS-1273ZJ-140-DM45+DS-1280ZJ-DM45	<b>Corner Mounting</b> DS-1476ZJ-SUS+DS-220AZJ-145-WA	<b>Wall Mounting</b> DS-1273ZJ-140-DM45+DS-1253ZJ-L	<b>Wall Mounting</b> DS-220AZJ-145-WA	<b>Junction Box</b> DS-1280ZJ-DM45
---	--	--	--	---------------------------------------

				
<p style="text-align: center;"><b>Vertical Pole Mounting</b> DS-1475ZJ-SUS+DS-22 0AZJ-145-WA</p>	<p style="text-align: center;"><b>Vertical Pole Mounting</b> DS-1275ZJ-S-SUS+DS- 220AZJ-145-WA</p>	<p style="text-align: center;"><b>Vertical Pole Mounting</b> DS-1275ZJ-SUS+DS-12 53ZJ-L+DS-1273ZJ-140 -DM45</p>	<p style="text-align: center;"><b>In-Ceiling Mounting</b> DS-4220ZJ-WC</p>	<p style="text-align: center;"><b>Pendant Mounting</b> DS-1271ZJ-140-DM45</p>
				

# See Far, Go Further



[www.hikvision.com](http://www.hikvision.com)  
[support@hikvision.com](mailto:support@hikvision.com)

