

AE-MW3SD Vehicle Video Memory Card



- Product capacity covering 64G/128G/256G/512G
- The storage medium is TLC particles
- Long reading and writing times, which can meet more than 1000 cycles
- Working temperature 0°C~70°C (32°F to 158°F)
- Optimized for long time on-board video recording, offering more stable reading and writing experience

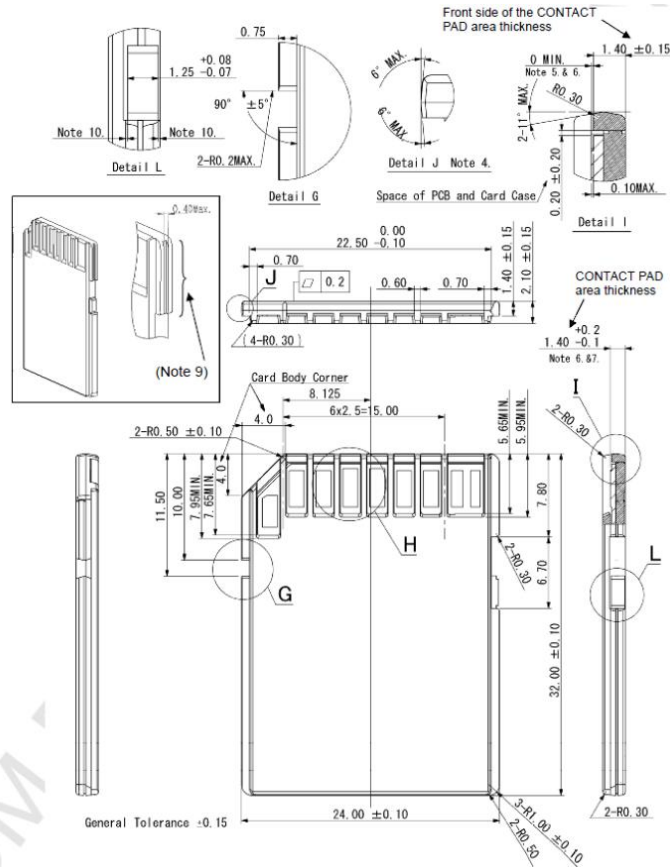
▪ Specification

Specification			
Operating voltage	2.7V~3.6V	Working temperature	0°C to 70°C (32°F to 158°F)
Compatibility	SD 6.1	Working humidity	10%~95%
Working life	1,000 cycles	Storage Temperature	-40°C~85°C (-40°F to 185°F)
Storage medium	TLC	Endurance	0.4N~5N, 0.6~6 sec/cycle, 10, 000 times
Speed Class	V30	UHS-I	SDR104
Write/Read Speed	64GB: Up to 35/100MB/s 128GB: Up to 70/100MB/s 256GB: Up to 90/100MB/s 512GB: Up to 90/100MB/s		

▪ Available Model

AE-MW3SD1(TLC/64G)
 AE-MW3SD1(TLC/128G)
 AE-MW3SD1(TLC/256G)
 AE-MW3SD1(TLC/512G)

▪ Dimension



Headquarters

No.555 Qianmo Road, Binjiang District,
Hangzhou 310051, China
T +86-571-8807-5998
www.hikvision.com



Follow us on social media to get the latest product and solution information.

