



Industry Dashcam

Quick Start Guide

Legal Information

About this Document

- This Document includes instructions for using and managing the Product. Pictures, charts, images and all other information hereinafter are for description and explanation only.
- The information contained in the Document is subject to change, without notice, due to firmware updates or other reasons. Please find the latest version of the Document at the Hikvision website (<https://www.hikvision.com>). Unless otherwise agreed, Hangzhou Hikvision Digital Technology Co., Ltd. or its affiliates (hereinafter referred to as "Hikvision") makes no warranties, express or implied.
- Please use the Document with the guidance and assistance of professionals trained in supporting the Product.

About this Product

This product can only enjoy the after-sales service support in the country or region where the purchase is made.

Acknowledgment of Intellectual Property Rights

- Hikvision owns the copyrights and/or patents related to the technology embodied in the Products described in this Document, which may include licenses obtained from third parties.
- Any part of the Document, including text, pictures, graphics, etc., belongs to Hikvision. No part of this Document may be excerpted, copied, translated, or modified in whole or in part by any means without written permission.
- **HIKVISION** and other Hikvision's trademarks and logos are the properties of Hikvision in various jurisdictions.
- Other trademarks and logos mentioned are the properties of their respective owners.

LEGAL DISCLAIMER

- TO THE MAXIMUM EXTENT PERMITTED BY APPLICABLE LAW, THIS DOCUMENT AND THE PRODUCT DESCRIBED, WITH ITS HARDWARE, SOFTWARE AND FIRMWARE, ARE PROVIDED "AS IS" AND "WITH ALL FAULTS AND ERRORS". HIKVISION MAKES NO WARRANTIES, EXPRESS OR IMPLIED, INCLUDING WITHOUT LIMITATION, MERCHANTABILITY, SATISFACTORY QUALITY, OR FITNESS FOR A PARTICULAR PURPOSE. THE USE OF THE PRODUCT BY YOU IS AT YOUR OWN RISK. IN NO EVENT WILL HIKVISION BE LIABLE TO YOU FOR ANY SPECIAL, CONSEQUENTIAL, INCIDENTAL, OR INDIRECT DAMAGES, INCLUDING, AMONG OTHERS, DAMAGES FOR LOSS OF BUSINESS PROFITS, BUSINESS INTERRUPTION, OR LOSS OF DATA, CORRUPTION OF SYSTEMS, OR LOSS OF DOCUMENTATION, WHETHER BASED ON BREACH OF CONTRACT, TORT (INCLUDING NEGLIGENCE), PRODUCT LIABILITY, OR OTHERWISE, IN CONNECTION WITH THE USE OF THE




PRODUCT, EVEN IF HIKVISION HAS BEEN ADVISED OF THE POSSIBILITY OF SUCH DAMAGES OR LOSS.

- YOU ACKNOWLEDGE THAT THE NATURE OF THE INTERNET PROVIDES FOR INHERENT SECURITY RISKS, AND HIKVISION SHALL NOT TAKE ANY RESPONSIBILITIES FOR ABNORMAL OPERATION, PRIVACY LEAKAGE OR OTHER DAMAGES RESULTING FROM CYBER-ATTACK, HACKER ATTACK, VIRUS INFECTION, OR OTHER INTERNET SECURITY RISKS; HOWEVER, HIKVISION WILL PROVIDE TIMELY TECHNICAL SUPPORT IF REQUIRED.
- YOU AGREE TO USE THIS PRODUCT IN COMPLIANCE WITH ALL APPLICABLE LAWS, AND YOU ARE SOLELY RESPONSIBLE FOR ENSURING THAT YOUR USE CONFORMS TO THE APPLICABLE LAW. ESPECIALLY, YOU ARE RESPONSIBLE, FOR USING THIS PRODUCT IN A MANNER THAT DOES NOT INFRINGE ON THE RIGHTS OF THIRD PARTIES, INCLUDING WITHOUT LIMITATION, RIGHTS OF PUBLICITY, INTELLECTUAL PROPERTY RIGHTS, OR DATA PROTECTION AND OTHER PRIVACY RIGHTS. YOU SHALL NOT USE THIS PRODUCT FOR ANY PROHIBITED END-USES, INCLUDING THE DEVELOPMENT OR PRODUCTION OF WEAPONS OF MASS DESTRUCTION, THE DEVELOPMENT OR PRODUCTION OF CHEMICAL OR BIOLOGICAL WEAPONS, ANY ACTIVITIES IN THE CONTEXT RELATED TO ANY NUCLEAR EXPLOSIVE OR UNSAFE NUCLEAR FUEL-CYCLE, OR IN SUPPORT OF HUMAN RIGHTS ABUSES.
- IN THE EVENT OF ANY CONFLICTS BETWEEN THIS DOCUMENT AND THE APPLICABLE LAW, THE LATTER PREVAILS.

© Hangzhou Hikvision Digital Technology Co., Ltd. All rights reserved.

Symbol Conventions

The symbols that may be found in this document are defined as follows.

| Symbol | Description |
|--|---|
|  Danger | Indicates a hazardous situation which, if not avoided, will or could result in death or serious injury. |
|  Caution | Indicates a potentially hazardous situation which, if not avoided, could result in equipment damage, data loss, performance degradation, or unexpected results. |
|  Note | Provides additional information to emphasize or supplement important points of the main text. |

Safety Instructions

- Proper configuration of all passwords and other security settings is the responsibility of the installer and/or end-user.
- In the use of the product, you must be in strict compliance with the electrical safety regulations of the nation and region. Please refer to technical specifications for detailed information.
- Input voltage should meet limited power source or PS2 requirements according to the IEC60950-1 or IEC 62368-1 standard. Please refer to technical specifications for detailed information.
- Do not connect several devices to one power adapter as adapter overload may cause overheating or a fire hazard.
- Please make sure that the plug is firmly connected to the power socket.
- If smoke, odor or noise rise from the device, turn off the power at once and unplug the power cable, and then please contact the service center.

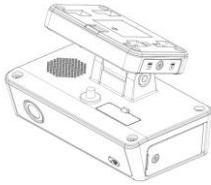
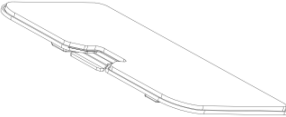
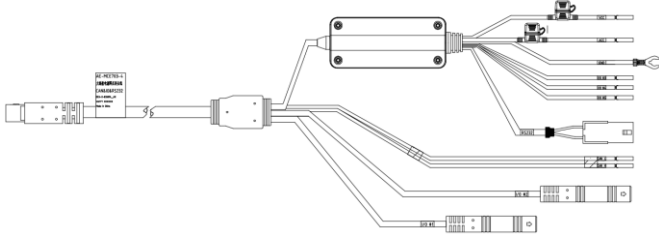
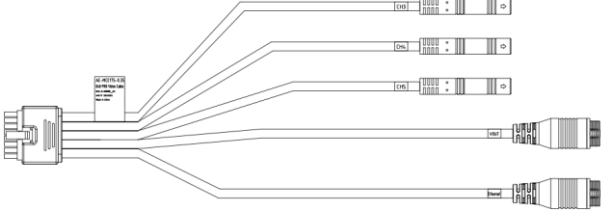
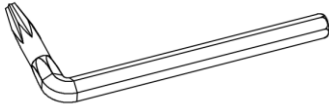

CONTENTS

| | |
|--|-----------|
| Chapter 1 Package Check | 1 |
| Chapter 2 Introduction | 3 |
| 2.1 Product Introduction | 3 |
| 2.2 Product Features..... | 3 |
| 2.3 Overview of the Dashcam | 4 |
| 2.4 Wiring | 7 |
| Chapter 3 Installation | 10 |
| 3.1 Install the TF Card and SIM Card | 10 |
| 3.2 Install the Dashcam..... | 11 |
| Chapter 4 Quick Configuration | 14 |
| 4.1 Add Camera to App..... | 14 |
| 4.2 Parameters Configurations | 16 |
| Chapter 5 FAQ | 17 |
| 5.1 Dashcam Start Failure | 17 |
| 5.2 Video Recording Failure..... | 17 |
| 5.3 Position Failure | 17 |
| 5.4 Blurred Video Image | 17 |

Chapter 1 Package Check

Please check the package of the camera for damages. After opening the package, please check the whether all the items are complete according to the table shown bellow. If all items are complete, then devices are ready for installation.

Table 1-1 Packing List

| No. | Picture | Name | Number |
|-----|---|----------------|--------|
| 1 |  | Dashcam | 1 |
| 2 |  | Bracket | 1 |
| 3 |  | Power Cables | 1 |
| 4 |  | Video Cables | 1 |
| 5 |  | L-shape Wrench | 1 |
| 6 |  | QUG | 1 |

 **Note**

- The mobile camera is optional, and the picture is for reference only.
-

Chapter 2 Introduction

2.1 Product Introduction

This dashcam is a video and audio intelligent monitoring product for vehicle. With advanced image acquisition technology and high-definition video recording technology, it records the front vision of the vehicle. With high-fidelity sound recording technology, it synchronizes the video and audio in the vehicle. With high-precision positioning technology, it offers excellent vehicle positioning service. It uses intelligent AI algorithm for driving behavior monitoring, which ensures the service quality and protects the legitimate rights and interests of drivers and passengers. The dashcam combines rich functions with excellent performance, stability, compactness, low power consumption and easy installation and maintenance. The product can be widely applied in logistics and transportation, engineering inspection, industrial production, as well as car rental and ride-hailing services.



This product is subject to active development, which means that some functions may differ from what is presented in this manual. Please refer to the actual product for your reference.

2.2 Product Features

- Support up to 5-channel video recording, 2-ch default and 3-ch extension.
- Front camera: 1620P, Rear camera: 1080P, Extension channel: 1080P
- Built-in Microphone and Speaker, support two-way audio function
- Support GPS/GLONASS/GALILEO and time, speed overlay on picture
- Built-in Wi-Fi communication module, support AP access point
- Built-in 4G module, support 2×NANO SIM card
- Support 2 × Micro-SD card storage, each up to 1 TB. Support recording overwrite
- Support preview, playback and editing parameters via APP
- Support HCT and HCP Platforms
- Built-in 6-axis gyroscope sensor, start emergency video and video backup lock when the vehicle has a collision or severe vibration
- Support 2-ch IO alarm input, 3-ch steering signal
- Support Advanced Driving Assistance System (ADAS), Driver Status Monitoring (DSM), Driver Authentication, People counting
- Support Sentry mode, protect and monitor all-day parking
- Easy installation and operation

2.3 Overview of the Dashcam

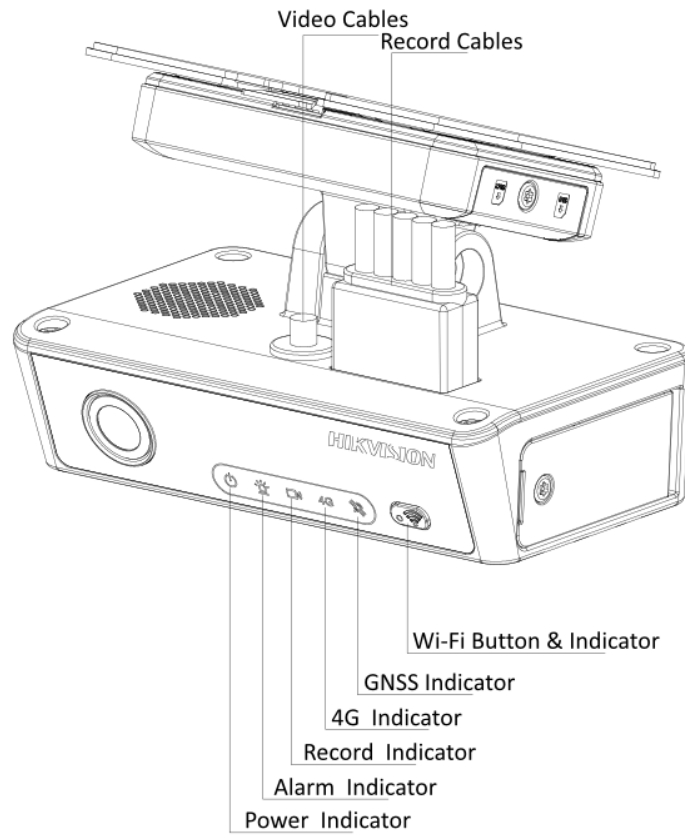


Figure 2-1 Front View

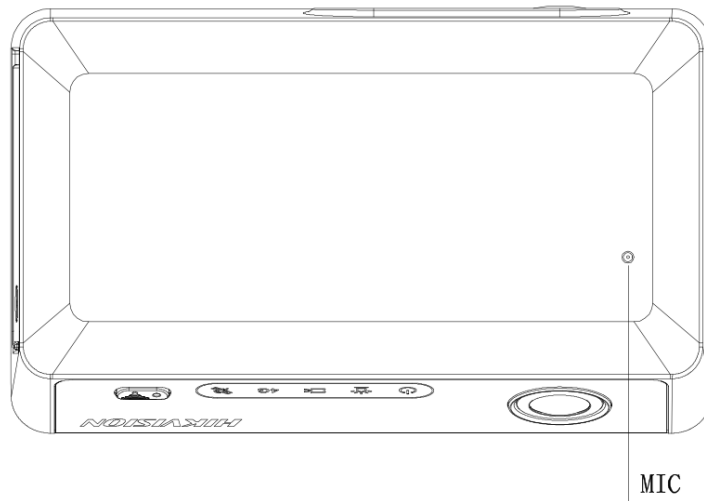


Figure 2-2 Bottom View

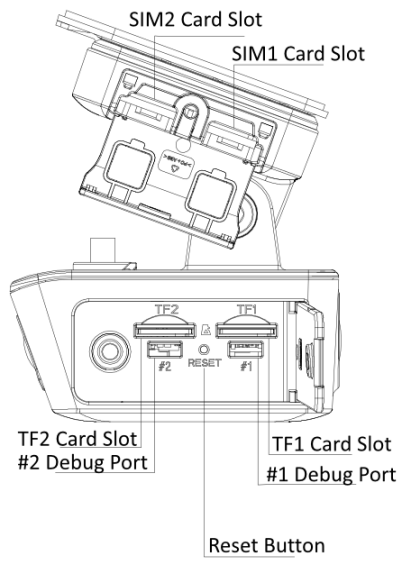


Figure 2-3 Side View

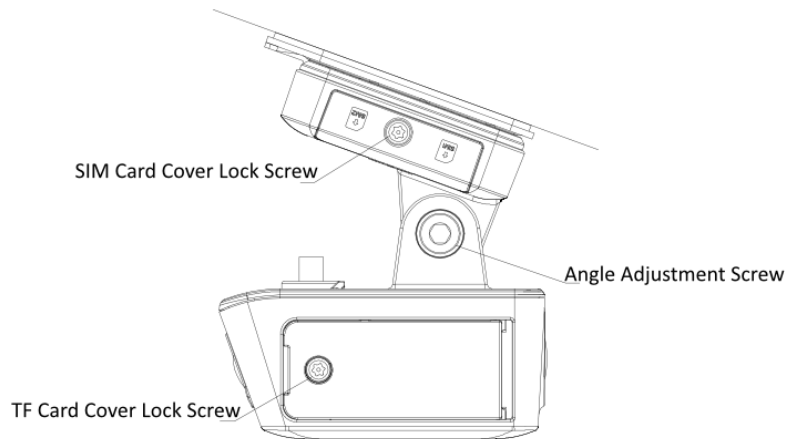


Figure 2-4 Side View

Note

- Press Wi-Fi button to enable Wi-Fi AP.
- When the dashcam is on, press shortly the RESET button with a solid indicator to restart the device. Press and hold for 5 seconds to restore to the default setting.

Refer to the following table for the meaning of indicators.

Table 2-1 Indicator Status Description

| Indicator | Status | Description |
|------------------|--------|--|
| Wi-Fi Indicator | Solid | APP connected to the device |
| | Flash | Wi-Fi AP on |
| | Off | Wi-Fi AP off |
| 4G Indicator | Solid | 4G signal and platform connection normal |
| | Flash | 4G signal normal but platform disconnected |
| | Off | No 4G signal |
| Record Indicator | Solid | Recording normal |
| | Off | Recording error, TF card to be checked |
| GNSS Indicator | Solid | Positioning normal |
| | Off | No positioning signal |
| Alarm Indicator | Flash | Trigger alarm |
| | Off | Normal |
| Power Indicator | Solid | Dashcam is on. |
| | Off | Dashcam is off. |

2.4 Wiring

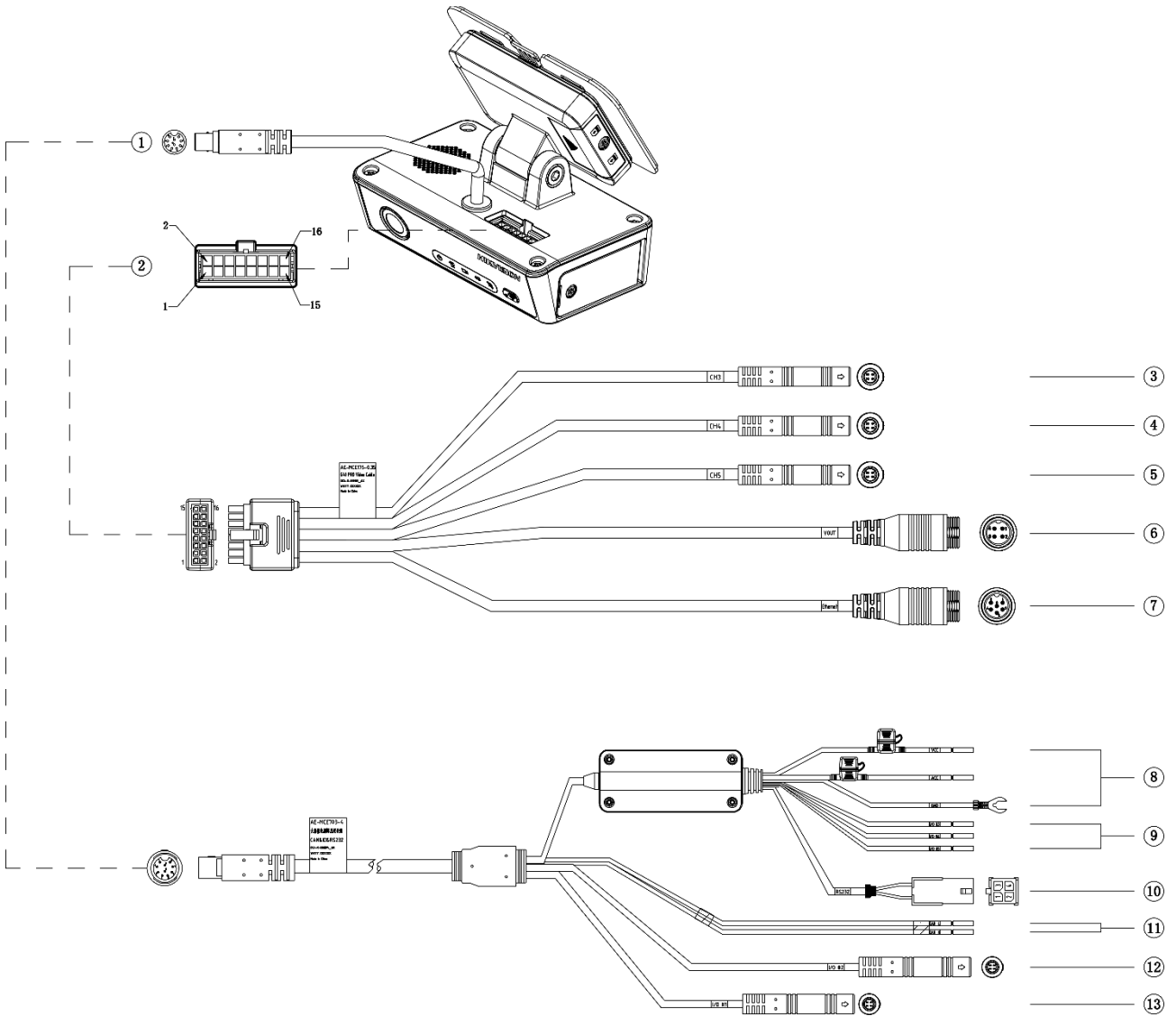


Figure 2-5 Wiring

Table 2-2 Wiring Description

| No | Interface Name | Interface Definition | Description |
|----|----------------|--|----------------------------------|
| 1 | POWER | 1. ACC 2. CAN_L 3. CAN_H 4. 5V_OUT 5. I/O #2 6. I/O #1 7. RS232_TX 8. RS232_RX 9. GND 10. VCC | 10-pin connects to power cables. |

| | | | |
|---|-------------------|--|--|
| 2 | Video Interface | <ol style="list-style-type: none"> 1. RJ45_TXP 2. RJ45_TXN 3. RJ45_RXP 4. RJ45_RXN 5. AIN1 6. TVI_IN1 7. P12V0_CAM1 8. GND 9. P12V0_CAM2 10. TVI_IN2 11. P12V0_CAM3 12. GND 13. GND 14. TVI_IN3 15. GND 16. CVBS_OUT | 16-pin connects to video cables. |
| 3 | CH3 | <ol style="list-style-type: none"> 1. P12V0_CAM1 2. GND 3. TVI_IN1 4. AIN1 | 4-pin connects to camera. |
| 4 | CH4 | <ol style="list-style-type: none"> 1. P12V0_CAM2 2. GND 3. TVI_IN2 4. NA | 4-pin connects to camera. |
| 5 | CH5 | <ol style="list-style-type: none"> 1. P12V0_CAM3 2. GND 3. TVI_IN3 4. NA | 4-pin connects to camera. |
| 6 | Video Output | <ol style="list-style-type: none"> 1. NA 2. GND 3. NA 4. CVBS_OUT | 4-pin connects to display screen. |
| 7 | Network Interface | <ol style="list-style-type: none"> 1. RJ45_TXN 2. RJ45_TXP 3. NA 4. RJ45_RXN 5. RJ45_RXP 6. NA | 6-pin connects to network cable. |
| 8 | VCC | / | VCC connects to vehicle power positive. |
| | ACC | / | ACC connections to vehicle ACC. |
| | GND | / | GND connections to the ground line. |
| 9 | IO3/IO4/IO5 | / | Connect to the vehicle signal of left turning, right turning, and reverse turning. |

| | | | | |
|----|----------|--------|-------------------------------------|---|
| 10 | 232 Port | Serial | 1.5V 2. GND 3. TXD 4. RXD | Reserved. |
| 11 | CAN_L | | / | Connect to the vehicle body and transmit the data of the vehicle body. |
| | CAN_H | | / | |
| 12 | I/O #2 | | 1. GND 2. I/O #2 3.NA 4.NA | Connects to alarm button, upload alarm information to the platform connected. |
| 13 | I/O #1 | | 1. GND 2. I/O #1 3.NA 4.NA | |

Chapter 3 Installation

3.1 Install the TF Card and SIM Card

The TF card is for the storage of recordings and snapshots. The SIM card is for connecting to 3G/4G network. The installation method of both is the same.

The dashcam records videos in a loop. When the TF card storage is used up, then later recordings will cover earlier recordings. Please backup the recordings after an accident or other important events.

 **Note**

- You need to format the TF card when using the TF card for the first time. To format the TF card, you need to insert the TF card into the dashcam and then choose the TF card formation option on the dashcam app. Formation with a computer will not work.
 - You can take out the dashcam from the bracket to replace.
-

Step 1 Loose the screw and open the cover from the bump of the cover.

Step 2 Push the TF card and SIM card into the slot until you hear a click sound.

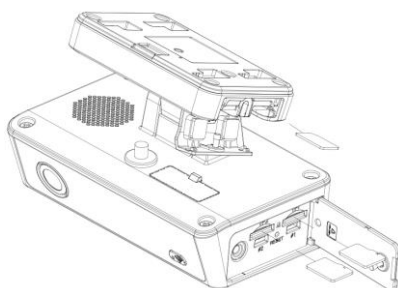


Figure 3-1 Insert Cards

Step 3 Put on the cover and tighten the screw on the screw hole with L-shape wrench.

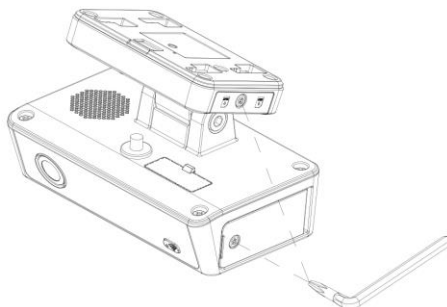


Figure 3-2 Lock Cover

 **Note**

The recording will start once the TF card is installed. Contact the sales for specialized app to set up recording parameters and management.

3.2 Install the Dashcam

The dashcam can be installed on the front car windshield as shown in the following.

Step 1 Connect the power cables: find the vehicle fuse. ACC to the vehicle ACC, VCC to the positive of the vehicle power, GND to the ground.

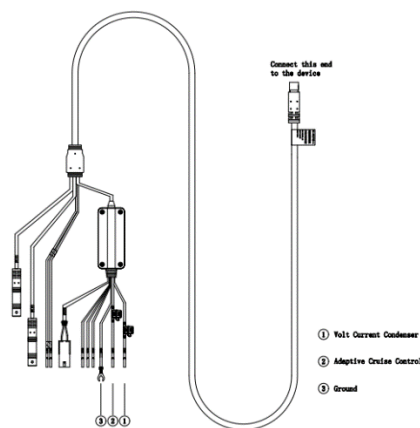


Figure 3-3 Connect the Power Cables

Step 2 Add camera to APP according to steps of Chapter 4.1 and tilt the dashcam to the suitable angle (For the front-view camera, ensure that the image is not tilted and the vertical/horizontal ratio in the image is 1:1, and there is no obstruction. For the driver monitoring camera, ensure that the driver and steering wheel are in the image, and there is no obstruction (such as rearview mirror). The IR light of the driver monitoring camera should be unobstructed to prevent overexposure due to IR light reflection at night.). Use the L-shaped wrench to tighten the rotation shaft screw.

 **Note**

- Ensure that there is no obstruction in the image output
 - If the rotation shaft screw cannot be locked, you can remove the dashcam and tighten.
-

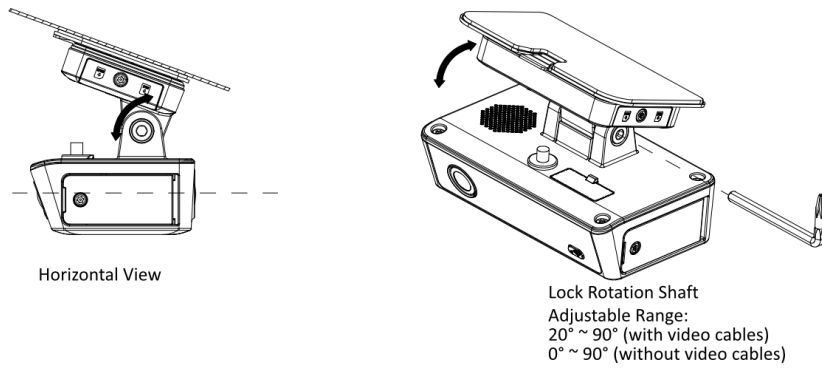


Figure 3-4 Adjust Angle

Step 3 Wipe the windscreen to ensure that its surface is free of dust, oil, water stains, etc.

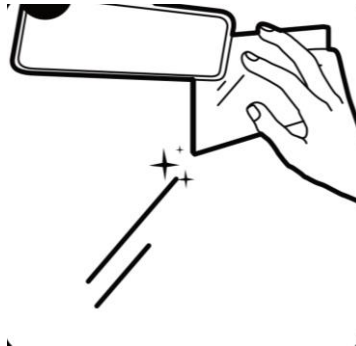


Figure 3-5 Clean the Windshield

Step 4 Remove the release paper of the double-sided tape. Install the bracket on the place cleaned before. Install the dashcam on the bracket.

 **Note**

Ensure the direction when installing the bracket.

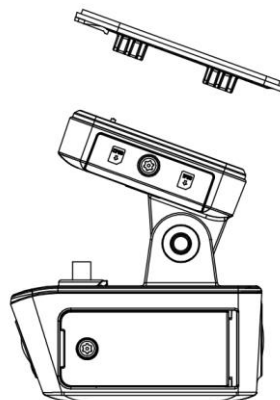


Figure 3-6 Install the Dashcam

Step 5 Connect the power cable to the dashcam and power of the car. Confirm the view of camera and tidy up the wiring.

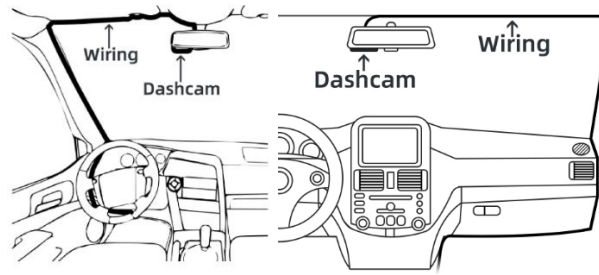


Figure 3-7 Wiring of Two Sides (According to the actual)

Chapter 4 Quick Configuration

4.1 Add Camera to App

This dashcam requires HikDashcam App for taking snapshots, recording videos and configuration.

Step 1 Scan the QR code bellow and download the Dashcam App.



Figure 4-1 QR Code

Step 2 Power on the Dashcam and press the Wi-Fi AP button to start the dashcam hotspot.

Step 3 Open the HikDashcam App and tap “Add Device”. The phone will go to the Wi-Fi setting page.

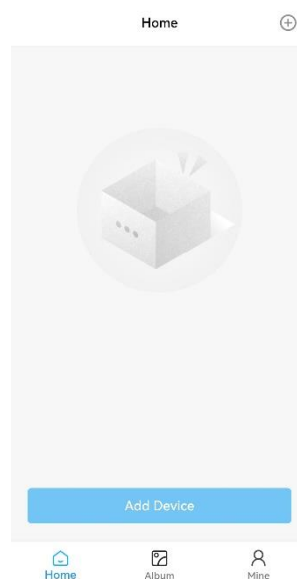


Figure 4-2 Dashcam Home Page

Step 4 Connect to the Wi-Fi hotspot named “DASHCAM-G40PRO-XXXX.” The string XXXX means the last four characters of the verification code on the dashcam. The default password is Dash12345.

Note: You should change the password for activation.

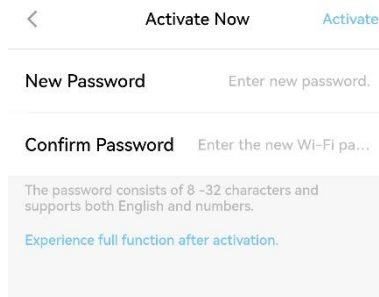


Figure 4-3 Activation

Step 5 After activation, the device will added to the home page.

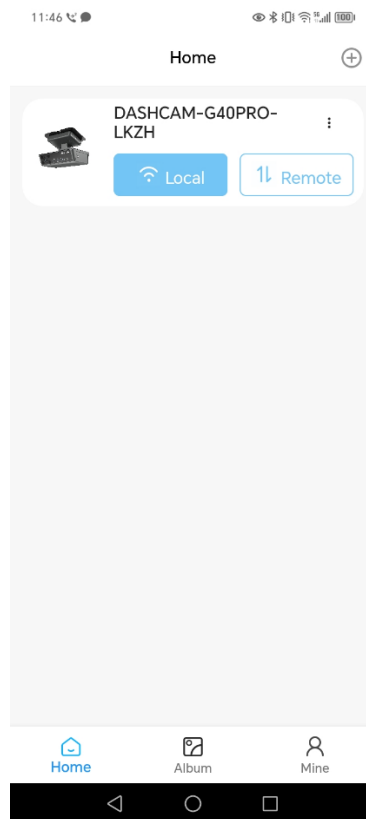


Figure 4-4 Added Device

Step 6 Tap “Local” and go to Wi-Fi Settings page of the phone to join the device hotspot by new password.

Step 7 Go back to the home page and do other operations.

4.2 Parameters Configurations

You can set the basic parameters and go to use the camera quickly.

Step 1 Tap **Settings** to go to **Smart Settings - ADAS (Advanced Driver Assistance System) Settings**, and enable ADAS Settings.

Step 2 On the ADAS Settings page, you can set the camera parameters.

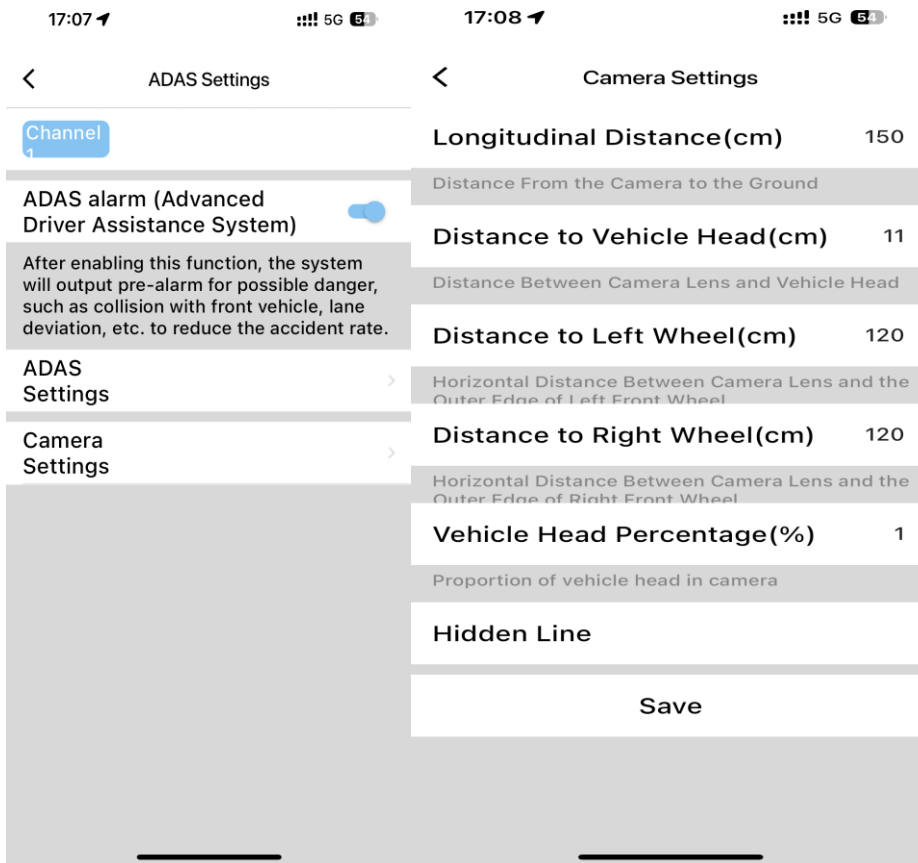


Figure 4-5 Camera Settings

Chapter 5 FAQ

5.1 Dashcam Start Failure

- Check whether the power supply is consistent with the required parameters of the dashcam.
- Check that the power cord is properly connected.
- Check that the vehicle power supply is normal.

5.2 Video Recording Failure

- Please confirm that the vehicle dashcam has inserted a TF card.
- Please confirm if the TF card is damaged, and if it is damaged, replace the TF card.
- Please try formatting the TF card.

5.3 Position Failure

- Please check whether there is any obstruction around the vehicle, drive the vehicle to an open road, the GNSS indicator is always on to indicate that the equipment is operating normally.
- Do not fix the dashcam on the special car film, some car film will affect the positioning signal, you need to move the dashcam to a place without the car film covering.

5.4 Blurred Video Image

- Please check that the lens protector has been removed.
- Whether the lens is dirty.



See Far, Go Further