

HIKVISION

ABSB: Camera Bracket

General Information/Key Features

- UPC: 00813908029345
- Waterproof Design
- Ceiling / Wall Mounts
- Manufacturer: Hikvision

Related Pages (Right click to open in new tab)

Shop Now. Visit the [ABSB](#) product page for detailed information

View [other Hikvision Camera Brackets](#)

View over 1300 [video surveillance products from Hikvision](#)

Scroll down to view the Hikvision ABSB specification sheet



HIKVISION
ABSB

<https://www.surveillance-video.com> is a distributor/reseller of over 120,000 security products from over 100 brands.

For over 45 years, we have earned the confidence of our customers by providing professional service and support.

If you need technical support or assistance to install your security system or any other products purchased from Surveillance-video.com, you can call us @ **800-955-5201** at any time.

ABS(B)

Inclined Ceiling Mount Bracket for Dome Camera



- Aluminum Alloy Material with Surface Spray Treatment
- Waterproof Design
- Black-Finish Model Available (ABSB)

Specifications

	ABS	ABSB
Appearance	Hikvision white	Hikvision black
Material	Aluminum Alloy	
Dimension	Ø137 mm × 56.5 × 147 mm (Ø5.39" × 2.22" × 5.79")	
Weight	472 g (1.04 lbs)	

NOTES: Install the mount on a flat wall.

Waterproof rubber is required for outdoor installation.

The wall must be capable of supporting over three times as much as the total weight of the camera and mount.

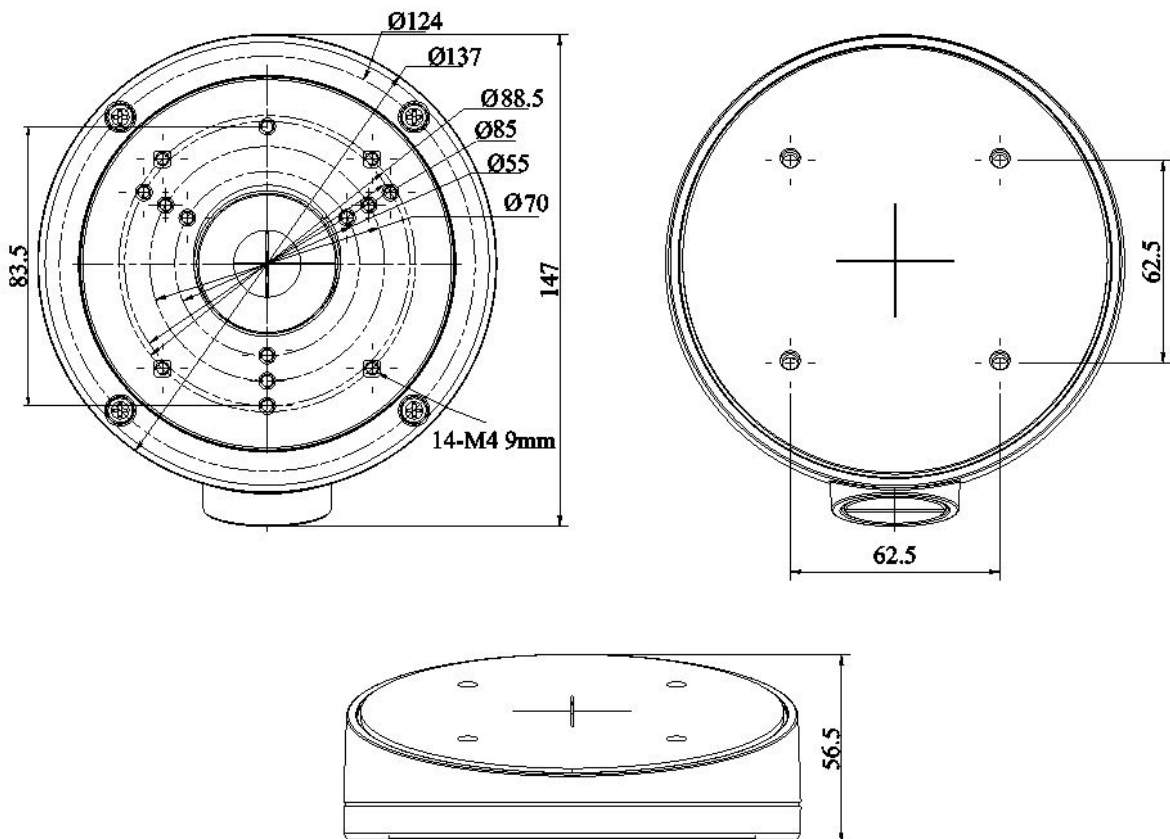
Maximum load capacity of the mount is 4.5 kg.

Order Model

ABS

ABSB

Dimensions



Units: mm